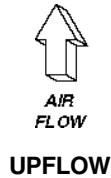
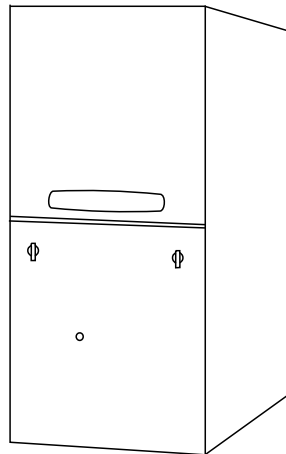


Communicating Only Upflow/Horizontal Left Downflow/Horizontal Right Direct/Non-Direct Vent 3 Stage Gas Furnace with Variable Speed Inducer

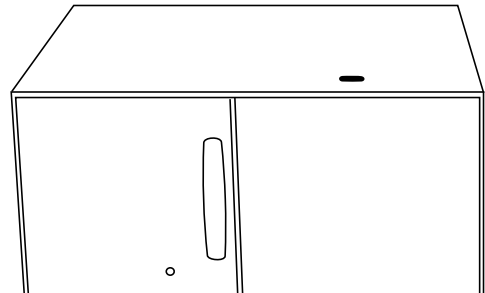
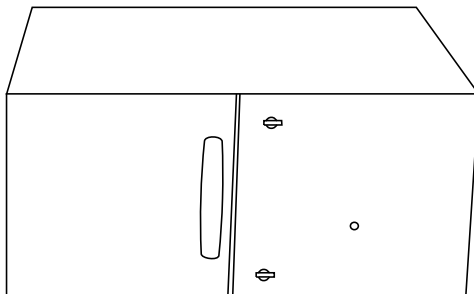
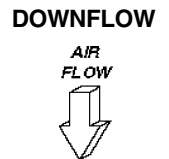
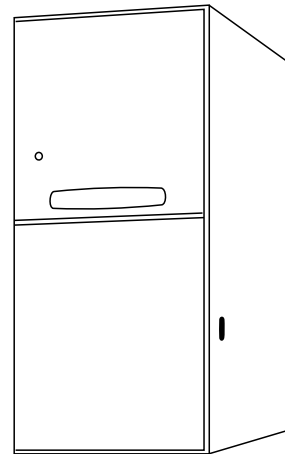
FREEDOM 95

AUH3B060ACV3VA, ADH3B060ACV3VA
 AUH3B080ACV3VA, ADH3B080ACV3VA
 AUH3C100ACV4VA, ADH3C100ACV4VA
 AUH3D120ACV5VA, ADH3D120ACV5VA
 Direct or Non-Direct Vent with
 Variable Speed Blower
 Variable Speed Inducer

AUH3-AC-V



ADH3-AC-V



General Features

3 STAGE OPERATION

The new 3 stage modulating gas valves provides longer heating cycles for more consistent heating comfort. Modulates down to 40% (45% for the AUH3D120) of the normal firing rates, saving energy, while at the same time providing maximum homeowner comfort.

COMFORT CONTROL

Acculink™ Communicating furnace design, offers plug and play – walk away installation. Assures the entire heating and air conditioning system is set up in the proper modes to optimize the engineered performance of the matched system installed.

NATURAL GAS MODELS

Central Heating furnace designs are certified by the American Gas Association for both natural and L.P. gas. Limit setting and rating data were established and approved under standard rating conditions using American National Standards Institute standards.

SAFE OPERATION

The Integrated System Control has solid state devices, which continuously monitor for presence of flame, when the system is in the heating mode of operation. Dual solenoid combination gas valve and regulator provide additional safety.

QUICK HEATING

Durable, cycle tested, heavy gauge **aluminized steel heat exchanger** quickly transfers heat to provide warm conditioned air to the structure. **Low energy power vent blower**, to increase efficiency and provide a positive discharge of gas fumes to the outside.

BURNERS

Multiport Inshot burners will give years of quiet and efficient service. All models can be converted to **L.P. gas** without changing burners.

INTEGRATED SYSTEM CONTROL

Exclusively designed operational program provides total control of furnace limit sensors, blowers, gas valve, flame control and includes self diagnostics for ease of service. Also contains connection points for an EAC and Humidifier.

AIR DELIVERY

The variable speed blower motor has sufficient airflow for most heating and cooling requirements and will switch from heating to cooling speeds on demand from room thermostat. The blower door safety switch will prevent or terminate furnace operation when the blower door is removed.

SECONDARY HEAT EXCHANGER

The FREEDOM 95 has a special type 29-4C™ stainless steel secondary heat exchanger to reclaim heat from flue gases which would normally be lost.

STYLING

Heavy gauge steel and “wrap-around” cabinet construction is used in the cabinet with baked-on enamel finish for strength and beauty. The heat exchanger section of the cabinet is completely lined with foil faced fiberglass insulation. This results in quiet and efficient operation due to the excellent acoustical and insulating qualities of fiberglass. Built-in bottom pan and alternate bottom, left or right side return air connection provision.

FEATURES AND GENERAL OPERATION

The FREEDOM 95 High Efficiency Gas Furnaces utilize an Adaptive Heat Up Silicon Nitride Hot Surface Ignition system, which eliminates the waste of a constant burning pilot. The integrated system control lights the main burners upon a demand for heat from the room thermostat. Complete front service access.

- a. Low energy power venter
- b. Vent proving pressure switch.

Contents

General Features	2
Features and Benefits	4
Standard Equipment	4
Optional Equipment	5
General Data	6-7
AUH3B060ACV3VA	6
AUH3B080ACV3VA	6
AUH3C100ACV4VA	6
AUH3D120ACV5VA	6
ADH3B060ACV3VA	7
ADH3B080ACV3VA	7
ADH3C100ACV4VA	7
ADH3D120ACV5VA	7
Performance Data	8-19
Venting Tables	20
Electrical Data	21-24
Field Wiring	25-26
Dimensions	27-28

Features and Benefits

FREEDOM 95 STANDARD EQUIPMENT

- Acculink™ Communicating only furnace design
 - Requires comfort control ACONT900AC43UA
 - For use with communicating outdoor product or single stage - cooling only outdoor units
 - Plug and play installation
 - Three wire connections to Comfort Control
 - Upflow models convertible to Horizontal Left
 - Downflow models convertible to Horizontal Right
 - Power supply 115/1/60
 - 3-stage modulating gas valve
 - Variable speed ECM blower motor with Comfort R™
 - Variable speed induced draft blower
 - Silicon Nitride hot surface igniter with adaptive heat up
 - PVC Venting - 1 or 2 pipe option
 - Integrated solid state control with self-diagnostics
 - Stored fault code history in microprocessor nonvolatile memory
 - Insulated blower door
 - Gasketed blower door
 - Attractive color accents
 - Heavy gauge aluminized steel heat exchanger
 - Multi-port In-shot burners
 - Complete front service access
 - Slide out blower assembly
 - Direct / Non-direct Vent Option
 - Optional L.P conversion kit
 - Left/right gas connection
 - Accessory hook-up capability
 - Manual reset flame roll out switches
 - Cleanable high velocity filters*
 - Hinged blower door*
 - Perfect fit door latches*
 - **Lifetime limited primary heat exchanger or secondary heat exchanger warranty to original owner (Residential use)**
 - **Optional extended warranties**
 - **5 Year limited parts warranty**
- * (Upflow only)

Features and Benefits

FREEDOM 95 OPTIONAL EQUIPMENT

Acculink™ Thermostat, Communicating	ACONT900AC43UA []
Propane Conversion Kit	BAYLPKT220A []
Propane Conversion Kit (with stainless steel burners)	BAYLPSS220A []
Electronic Air Filter, "Perfect Fit" Super Efficiency (17-1/2" Wide Gas Furnace)	TFE175A9FR0 []
Electronic Air Filter, "Perfect Fit" Super Efficiency (21" Wide Gas Furnace)	TFE210A9FR0 []
Electronic Air Filter, "Perfect Fit" Super Efficiency (24-1/2" Wide Gas Furnace)	TFE245A9FR0 []
Media Air Filter, "Perfect Fit" High Efficiency (17-1/2" Wide Gas Furnace)	TFM175A9FR0 []
Media Air Filter, "Perfect Fit" High Efficiency (21" Wide Gas Furnace)	TFM210A9FR0 []
Media Air Filter, "Perfect Fit" High Efficiency (24-1/2" Wide Gas Furnace)	TFM245A9FR0 []
Media Air Filter, "Perfect Fit" Standard Efficiency (17-1/2" Wide Gas Furnace)	TFP175A9FR0 []
Media Air Filter, "Perfect Fit" Standard Efficiency (21" Wide Gas Furnace)	TFP210A9FR0 []
Media Air Filter, "Perfect Fit" Standard Efficiency (24-1/2" Wide Gas Furnace)	TFP245A9FR0 []
Coil Enclosure (17-1/2" Wide Cabinets)	BAYCLE17A1722A []
Coil Enclosure (21" Wide Cabinets)	BAYCLE21A2130A []
Coil Enclosure (24-1/2" Wide Cabinets)	BAYCLE24A2430A []
Downflow Subbase	BAYBASE205 []
Side Filter Rack	BAYFLTR200 []
Filter Rack Kit - Left & bottom return only for AUH3B060,080,C100. Left, right & bottom returns for AUH3D120 ...	BAYRACK960 []
Filter Kit/Horizontal Conversion AUH3B060,080	BAYFLTR203 []
Filter Kit/Horizontal Conversion AUH3C100	BAYFLTR204 []
Filter Kit/Horizontal Conversion AUH3D120	BAYFLTR205 []
High Altitude Pressure Switch Kit AUH3B060	BAYSWT07AHALTA []
High Altitude Pressure Switch Kit AUH3B080,C100	BAYSWT09AHALTA []
High Altitude Pressure Switch Kit AUH3D120	BAYSWT08AHALTA []
Concentric Vent Kit AUH3 Furnaces	BAYAIR30AVENTA []
Sidewall Vent Termination Kit All 2 Pipe Direct Vent Furnaces	BAYVENT200B []
Cleanable Filter (14.5"/17.5" wide Upflow models)	BAYFLTR317 []
Cleanable Filter (21" wide Upflow models)	BAYFLTR321 []
Cleanable Filter (24.5" wide Upflow models)	BAYFLTR324 []
AccuClean™, Whole House Air Cleaner (Upflow 17-1/2" Wide Gas Furnace)	AFD175ALFR000B []
AccuClean™, Whole House Air Cleaner (Upflow 21" Wide Gas Furnace)	AFD210ALFR000B []
AccuClean™, Whole House Air Cleaner (Upflow 24-1/2" Wide Gas Furnace)	AFD245ALFR000B []
AccuClean™, Whole House Air Cleaner (Downflow 17-1/2" Wide Gas Furnace)	AFD17DALFR000B []
AccuClean™, Whole House Air Cleaner (Downflow 21" Wide Gas Furnace)	AFD21DALFR000B []
AccuClean™, Whole House Air Cleaner (Downflow 24-1/2" Wide Gas Furnace)	AFD24DALFR000B []
AccuClean™, Whole House Upgrade Kit (Upflow 17-1/2" Wide Gas Furnace)	AFD175ALUPGRDA []
AccuClean™, Whole House Upgrade Kit (Upflow 21" Wide Gas Furnace)	AFD210ALUPGRDA []
AccuClean™, Whole House Upgrade Kit (Upflow 24-1/2" Wide Gas Furnace)	AFD245ALUPGRDA []
AccuClean™, Whole House Upgrade Kit (Downflow 17-1/2" Wide Gas Furnace)	AFD17DALUPGRDA []
AccuClean™, Whole House Upgrade Kit (Downflow 21" Wide Gas Furnace)	AFD21DALUPGRDA []
AccuClean™, Whole House Upgrade Kit (Downflow 24-1/2" Wide Gas Furnace)	AFD24DALUPGRDA []
AccuClean™, Whole House Transformer Kit (120 to 24 Volt - all TFD Air Cleaners)	BAYTRANS12024 []
AccuClean™ Connection Kit for 3 Stage Furnace	BAYACCECOMM100 []

General Data

AUH3 PRODUCT SPECIFICATIONS^①

MODEL	AUH3B060ACV3VA	AUH3B080ACV3VA	AUH3C100ACV4VA	AUH3D120ACV5VA
TYPE	Upflow/ Horizontal Left	Upflow/ Horizontal Left	Upflow/ Horizontal Left	Upflow/ Horizontal Left
RATINGS ^②				
1st Stage Input BTUH	24,000	32,000	40,000	54,000
1st Stage Output Capacity BTUH (ICS) ^③	23,000	30,000	38,000	52,000
2nd Stage Input BTUH	41,000	54,000	68,000	82,000
2nd Stage Output Capacity (ICS) ^④	-	-	-	-
3rd Stage Input BTUH	60,000	80,000	100,000	120,000
3rd Stage Output Capacity BTUH (ICS) ^③	57,000	75,000	95,000	114,000
Temp. rise (Min.-Max.) °F.	35 - 65	35 - 65	35 - 65	40 - 70
AFUE	95.0	95.0	95.0	95.0
BLOWER DRIVE				
Diameter - Width (In.)	DIRECT 10 x 8	DIRECT 10 x 8	DIRECT 10 x 10	DIRECT 10 x 10
No. Used	1	1	1	1
Speeds (No.)	Variable	Variable	Variable	Variable
CFM vs. in. w.g.	See Fan Performance Table	See Fan Performance Table	See Fan Performance Table	See Fan Performance Table
Motor HP	1/2	1/2	1	1
RP.M.	Variable	Variable	Variable	Variable
Volts / Ph / Hz	115/1/60	115/1/60	115/1/60	115/1/60
COMBUSTION FAN - Type				
Drive - No. Speeds	Centrifugal Direct - Variable	Centrifugal Direct - Variable	Centrifugal Direct - Variable	Centrifugal Direct - Variable
Motor HP - RPM	1/50 - 5000	1/50 - 5000	1/50 - 5000	1/50 - 5000
Volts / Ph / Hz	33 - 110/3/60 - 180	33 - 110/3/60 - 180	33 - 110/3/60 - 180	33 - 110/3/60 - 180
FLA	1.0	1.0	1.0	1.0
FILTER — Furnished?				
Type Recommended	Yes High Velocity	Yes High Velocity	Yes High Velocity	Yes High Velocity
Hi Vel. (No.-Size-Thk.)	1 - 17x25 - 1 in.	1 - 17x25 - 1 in.	1 - 20x25 - 1 in.	1 - 24x25 - 1 in.
VENT — Size (in.)				
	2 Round	2 Round	3 Round	3 Round
HEAT EXCHANGER				
Type - Fired	Aluminized Steel - Type I	Aluminized Steel - Type I	Aluminized Steel - Type I	Aluminized Steel - Type I
-Unfired				
Gauge (Fired)	20	20	20	20
ORIFICES — Main				
Nat. Gas Qty. — Drill Size	3 — 45	4 — 45	5 — 45	6 — 45
LP. Gas Qty. — Drill Size ^⑤	3 — 51	4 — 51	5 — 51	6 — 51
GAS VALVE				
	Redundant - Three Stage	Redundant - Three Stage	Redundant - Three Stage	Redundant - Three Stage
PILOT SAFETY DEVICE				
Type	Hot Surface Igniter	Hot Surface Igniter	Hot Surface Igniter	Hot Surface Igniter
BURNERS — Type				
Number	Multiport Inshot 3	Multiport Inshot 4	Multiport Inshot 5	Multiport Inshot 6
POWER CONN. — V / Ph / Hz ^④				
	115/1/60	115/1/60	115/1/60	115/1/60
Ampacity (In Amps)	11.1	11.1	13.5	15.2
Max. Overcurrent Protection (Amps)	15	15	20	20
PIPE CONN. SIZE (IN.)				
	1/2	1/2	1/2	1/2
DIMENSIONS				
Crated (In.)	H x W x D 41-3/4 x 19-1/2 x 30-1/2	H x W x D 41-3/4 x 19-1/2 x 30-1/2	H x W x D 41-3/4 x 23 x 30-1/2	H x W x D 41-3/4 x 26-1/2 x 30-1/2
WEIGHT				
Shipping (Lbs.) / Net (Lbs)	158 / 146	168 / 156	197 / 185	206 / 193

① Central Furnace heating designs are certified by AGA and CSA.

② For U.S. applications, above input ratings (BTUH) are up to 2,000 feet, derate 4% per 1,000 feet for elevations above 2,000 feet above sea level.

For Canadian applications, above input ratings (BTUH) are up to 4,500 feet, derate 4% per 1,000 feet for elevations above 4,500 feet above sea level.

③ Based on U.S. government standard tests.

④ The above wiring specifications are in accordance with National Electrical Code; however, installations must comply with local codes.

⑤ Furnace ships in natural gas configuration. The LP conversion kit used with the 3 stage furnace is BAYLPSS220A or BAYLPKT220A.

⑥ Second stage output capacity is approximately equal to 65% of third stage output capacity. There is no testing protocol for this value.

General Data

ADH3 PRODUCT SPECIFICATIONS

MODEL	ADH3B060ACV3VA	ADH3C080ACV3VA	ADH3C100ACV4VA	ADH3D120ACV5VA
TYPE	Downflow / Horizontal Right	Downflow / Horizontal Right	Downflow / Horizontal Right	Downflow / Horizontal Right
RATINGS ②				
1st Stage Input BTUH	24,000	32,000	40,000	48,000
1st Stage Output Capacity BTUH (ICS) ③	22,000	30,000	38,000	46,000
2nd Stage Input BTUH	41,000	54,000	68,000	82,000
2nd Stage Output Capacity (ICS) ⑥	-	-	-	-
3rd Stage Input BTUH	60,000	80,000	100,000	120,000
3rd Stage Output Capacity BTUH (ICS) ③	56,000	74,000	95,000	109,000
Temp. rise (Min.-Max.) °F.	35 - 65	35 - 65	35 - 65	40 - 70
AFUE	92.1	95.0	95.0	92.1
BLOWER DRIVE				
Drive	DIRECT	DIRECT	DIRECT	DIRECT
Diameter - Width (In.)	10 x 8	10 x 8	10 x 10	10 x 10
No. Used	1	1	1	1
Speeds (No.)	Variable	Variable	Variable	Variable
CFM vs. in. w.g.	See Fan Performance Table	See Fan Performance Table	See Fan Performance Table	See Fan Performance Table
Motor HP	1/2	1/2	3/4	1
R.P.M.	Variable	Variable	Variable	Variable
Volts / Ph / Hz	115/1/60	115/1/60	115/1/60	115/1/60
COMBUSTION FAN - Type				
Drive - No. Speeds	Centrifugal Direct - Variable	Centrifugal Direct - Variable	Centrifugal Direct - Variable	Centrifugal Direct - Variable
Motor HP - RPM	1/50 - 5000	1/50 - 5000	1/50 - 5000	1/50 - 5000
Volts / Ph / Hz	33 - 110/3/60 - 180	33 - 110/3/60 - 180	33 - 110/3/60 - 180	33 - 110/3/60 - 180
FLA	1.0	1.0	1.0	1.0
FILTER — Furnished?				
Type Recommended	Yes	Yes	Yes	Yes
Hi Vel. (No.-Size-Thk.)	High Velocity 2 - 14x20 - 1 in.	High Velocity 2 - 14x20 - 1 in.	High Velocity 2 - 16x20 - 1 in.	High Velocity 2 - 16x20 - 1 in.
VENT — Size (in.)				
	2 Round	2 Round	3 Round	3 Round
HEAT EXCHANGER				
Type -Fired	Aluminized Steel - Type I	Aluminized Steel - Type I	Aluminized Steel - Type I	Aluminized Steel - Type I
-Unfired				
Gauge (Fired)	20	20	20	20
ORIFICES — Main				
Nat. Gas Qty. — Drill Size	3—45	4—45	5—45	6—45
LP. Gas Qty. — Drill Size ⑤	3—51	4—51	5—51	6—51
GAS VALVE				
	Redundant - Three Stage	Redundant - Three Stage	Redundant - Three Stage	Redundant - Three Stage
PILOT SAFETY DEVICE				
Type	Hot Surface Igniter	Hot Surface Igniter	Hot Surface Igniter	Hot Surface Igniter
BURNERS — Type				
Number	Multiport Inshot 3	Multiport Inshot 4	Multiport Inshot 5	Multiport Inshot 6
POWER CONN. — V / Ph / Hz ④				
Capacity (In Amps)	115/1/60 11.1	115/1/60 11.1	115/1/60 13.5	115/1/60 15.2
Max. Overcurrent Protection (Amps)	15	15	20	20
PIPE CONN. SIZE (IN.)				
	1/2	1/2	1/2	1/2
DIMENSIONS				
Crated (In.)	H x W x D 41-3/4 x 19-1/2 x 30-1/2	H x W x D 41-3/4 x 19-1/2 x 30-1/2	H x W x D 41-3/4 x 23 x 30-1/2	H x W x D 41-3/4 x 26-1/2 x 30-1/2
WEIGHT				
Shipping (Lbs.) / Net (Lbs)	160/ 146	168/ 158	185/ 175	206/ 196

① Central Furnace heating designs are certified by AGA and CSA.

② For U.S. applications, above input ratings (BTUH) are up to 2,000 feet, derate 4% per 1,000 feet for elevations above 2,000 feet above sea level.

For Canadian applications, above input ratings (BTUH) are up to 4,500 feet, derate 4% per 1,000 feet for elevations above 4,500 feet above sea level.

③ Based on U.S. government standard tests.

④ The above wiring specifications are in accordance with National Electrical Code; however, installations must comply with local codes.

⑤ Furnace ships in natural gas configuration. The LP conversions kit used with the 3 stage furnace is BAYLPSS220A.

⑥ Second stage output capacity is approximately equal to 65% of third stage output capacity. There is no testing protocol for this value.

*UH3 AIRFLOW - HEATING

*UH3B060ACV3VA Furnace Heating Airflow (CFM) and Power (watts) vs. External Static Pressure With Filter								
	Airflow Setting	Target Airflow		External Static Pressure				
				0.1	0.3	0.5	0.7	0.9
Heating 1st Stage	Low	540	CFM	446	575	590	608	611
			Temp. Rise	46	36	35	34	34
			Watts	44	82	115	154	191
	Medium Low	610	CFM	543	637	647	665	668
			Temp. Rise	38	32	32	31	31
			Watts	51	93	130	171	211
	Medium**	620	CFM	622	705	715	729	731
			Temp. Rise	33	29	29	28	28
			Watts	63	108	148	191	234
	High	770	CFM	727	795	804	815	815
			Temp. Rise	28	26	26	25	25
			Watts	84	132	176	223	268
Heating 2nd Stage	Low	680	CFM	619	695	717	727	733
			Temp. Rise	50	45	43	43	42
			Watts	63	106	150	193	236
	Medium Low	760	CFM	710	780	789	801	801
			Temp. Rise	44	40	39	39	39
			Watts	80	128	171	217	262
	Medium**	860	CFM	819	874	882	890	888
			Temp. Rise	38	35	35	35	35
			Watts	107	158	205	255	303
	High	970	CFM	939	978	985	989	984
			Temp. Rise	33	32	31	31	31
			Watts	145	200	251	304	355
Heating 3rd Stage	Low	900	CFM	937	968	977	985	984
			Temp. Rise	55	53	53	52	53
			Watts	136	193	241	295	343
	Medium Low	1010	CFM	985	1017	1024	1027	1021
			Temp. Rise	52	51	50	50	51
			Watts	162	218	272	325	377
	Medium**	1130	CFM	1117	1130	1136	1134	1126
			Temp. Rise	46	46	45	46	46
			Watts	219	279	338	392	449
	High	1290	CFM	1292	1280	1285	1278	1201
			Temp. Rise	40	40	40	40	43
			Watts	317	383	448	501	508

*UH3B080ACV3VA Furnace Cooling Airflow (CFM) and Power (Watts) vs. External Static Pressure With Filter								
	Airflow Setting	Target Airflow		External Static Pressure				
				0.1	0.3	0.5	0.7	0.9
Heating 1st Stage	Low	670	CFM	603	656	675	609	629
			Temp. Rise	46	42	41	45	44
			Watts	49	87	123	160	197
	Medium Low	760	CFM	694	740	755	689	710
			Temp. Rise	40	37	36	40	39
			Watts	65	106	144	183	222
	Medium**	840	CFM	817	837	845	838	825
			Temp. Rise	34	33	33	33	33
			Watts	87	128	171	210	250
	High	970	CFM	920	950	958	890	912
			Temp. Rise	30	29	29	31	30
			Watts	119	167	212	256	302
Heating 2nd Stage	Low	810	CFM	747	790	804	737	758
			Temp. Rise	65	61	60	65	64
			Watts	76	118	158	198	239
	Medium Low	910	CFM	856	891	901	833	855
			Temp. Rise	56	54	54	58	56
			Watts	102	147	191	233	277
	Medium**	1010	CFM	965	992	998	930	952
			Temp. Rise	50	49	48	52	51
			Watts	133	182	229	274	321
	High	1160	CFM	1127	1142	1144	1074	1098
			Temp. Rise	43	42	42	45	44
			Watts	191	246	299	349	400
Heating 3rd Stage	Low	1120	CFM	1099	1106	1111	1108	1103
			Temp. Rise	63	62	62	62	62
			Watts	174	229	278	330	382
	Medium Low	1260	CFM	1232	1239	1243	1241	1235
			Temp. Rise	56	56	55	56	56
			Watts	234	292	349	407	463
	Medium**	1400	CFM	1375	1385	1384	1383	1305
			Temp. Rise	50	50	50	50	53
			Watts	316	383	444	513	513
	High	1610	CFM	1612	1566	1491	1392	1303
			Temp. Rise	43	44	46	49	53
			Watts	470	513	513	513	513

Notes:
 1. * First letter may be "A" or "T".
 2. ** Factory setting.
 3. Continuous Fan Setting: Heating or cooling airflow is approximately 50% of selected cooling value.
 4. LOW 350 cfm/ton is recommended for variable speed application for COMFORT & HUMID CLIMATE setting; NORMAL is 400 cfm/ton; HIGH 450 cfm/ton is for DRY CLIMATE setting.
 5. Target airflow is field selectable for third stage heating. Target airflow for first and second stage heating are percentages of third stage target and are not field selectable.

***UH3 AIRFLOW - HEATING**



HEATING & AIR CONDITIONING

*UH3C100ACV4VA Furnace Cooling Airflow (CFM) and Power (Watts) vs. External Static Pressure With Filter								
	Airflow Setting	Target Airflow		External Static Pressure				
				0.1	0.3	0.5	0.7	0.9
Heating 1st Stage	Low	800	CFM	788	806	810	804	792
			Temp. Rise	45	44	43	44	44
			Watts	91	132	172	212	250
	Medium Low	890	CFM	880	896	899	892	879
			Temp. Rise	40	39	39	39	40
			Watts	109	152	195	237	277
	Medium**	1010	CFM	1010	1023	1023	1016	1002
			Temp. Rise	35	34	34	35	35
			Watts	139	185	232	279	322
	High	1080	CFM	1077	1089	1088	1080	1066
			Temp. Rise	32	32	32	32	32
			Watts	157	205	254	304	349
Heating 2nd Stage	Low	960	CFM	951	966	967	960	947
			Temp. Rise	65	64	64	64	65
			Watts	124	169	214	259	301
	Medium Low	1060	CFM	1061	1073	1072	1064	1051
			Temp. Rise	58	57	57	58	59
			Watts	153	200	249	297	342
	Medium**	1220	CFM	1217	1226	1223	1214	1199
			Temp. Rise	51	50	50	51	51
			Watts	203	255	309	363	413
	High	1300	CFM	1298	1305	1300	1291	1276
			Temp. Rise	47	47	47	48	48
			Watts	234	289	346	403	456
Heating 3rd Stage	Low	1330	CFM	1333	1339	1334	1324	1309
			Temp. Rise	66	66	66	66	67
			Watts	249	305	363	421	476
	Medium Low	1480	CFM	1486	1489	1481	1471	1454
			Temp. Rise	59	59	59	60	60
			Watts	322	384	448	513	576
	Medium**	1690	CFM	1701	1699	1687	1676	1658
			Temp. Rise	52	52	52	52	53
			Watts	453	526	599	672	752
	High	1800	CFM	1813	1810	1795	1783	1765
			Temp. Rise	49	49	49	49	50
			Watts	536	617	694	772	864

*UH3D120ACV5VA Furnace Cooling Airflow (CFM) and Power (Watts) vs. External Static Pressure With Filter								
	Airflow Setting	User Interface Selection for Max Heat CFM		External Static Pressure				
				0.1	0.3	0.5	0.7	0.9
Heating 1st Stage	Low	1660	CFM	837	865	872	869	862
			Temp. Rise	57	55	54	55	55
			Watts	87	129	163	196	241
	Medium Low	1850	CFM	937	962	968	963	953
			Temp. Rise	51	49	49	49	50
			Watts	107	152	190	228	275
	Medium**	2040	CFM	1036	1059	1063	1056	1043
			Temp. Rise	46	45	45	45	46
			Watts	130	178	221	266	315
	High	2340	CFM	1194	1214	1214	1204	1188
			Temp. Rise	40	39	39	39	40
			Watts	176	229	282	337	390
Heating 2nd Stage	Low	1660	CFM	1184	1204	1204	1195	1179
			Temp. Rise	58	57	57	57	58
			Watts	172	225	278	332	385
	Medium Low	1850	CFM	1323	1340	1339	1326	1306
			Temp. Rise	52	51	51	52	53
			Watts	222	280	341	405	459
	Medium**	2040	CFM	1463	1477	1473	1458	1434
			Temp. Rise	47	46	47	47	48
			Watts	282	346	416	486	542
	High	2340	CFM	1683	1692	1684	1665	1636
			Temp. Rise	41	41	41	41	42
			Watts	404	478	556	630	686
Heating 3rd Stage	Low	1660	CFM	1658	1667	1660	1641	1612
			Temp. Rise	64	63	64	64	65
			Watts	388	461	538	613	669
	Medium Low	1850	CFM	1852	1857	1845	1823	1790
			Temp. Rise	57	57	57	58	59
			Watts	522	604	682	749	804
	Medium**	2040	CFM	2045	2046	2031	2006	1947
			Temp. Rise	52	52	52	53	54
			Watts	689	782	848	894	966
	High	2340	CFM	2351	2345	2140	2050	1947
			Temp. Rise	45	45	49	51	54
			Watts	966	966	966	966	966

Notes:

- * First letter may be "A" or "T".
- ** Factory setting.
- Continuous Fan Setting: Heating or cooling airflow is approximately 50% of selected cooling value.
- LOW 350 cfm/ton is recommended for variable speed application for COMFORT & HUMID CLIMATE setting; NORMAL is 400 cfm/ton; HIGH 450 cfm/ton is for DRY CLIMATE setting.
- Target airflow is field selectable for third stage heating. Target airflow for first and second stage heating are percentages of third stage target and are not field selectable.

*UH3 AIRFLOW - COOLING

*UH3B060ACV3VA Furnace Cooling Airflow (CFM) and Power (Watts) vs. External Static Pressure With Filter								
Unit	Airflow Setting		External Static Pressure					
			0.1	0.3	0.5	0.7	0.9	
1.5	290 CFM/ton	CFM	356	476	488	511	519	
		Watts	29	67	97	132	167	
	310 CFM/ton	CFM	389	504	516	538	545	
		Watts	32	71	102	138	174	
	330 CFM/ton	CFM	422	533	544	565	572	
		Watts	36	75	107	144	181	
	350 CFM/ton	CFM	455	561	566	589	592	
		Watts	39	79	111	150	187	
	370 CFM/ton	CFM	487	589	600	619	624	
		Watts	43	84	119	158	197	
	400 CFM/ton	CFM	537	631	655	669	673	
		Watts	50	92	130	171	212	
	430 CFM/ton	CFM	586	674	684	700	702	
		Watts	57	101	139	182	223	
	450 CFM/ton	CFM	619	695	717	727	733	
		Watts	63	106	150	193	236	
	2	290 CFM/ton	CFM	515	613	623	641	646
			Watts	47	88	124	164	204
310 CFM/ton		CFM	559	650	660	677	681	
		Watts	53	96	133	175	215	
330 CFM/ton		CFM	602	688	698	713	716	
		Watts	60	104	143	186	228	
350 CFM/ton		CFM	646	707	737	748	752	
		Watts	68	112	156	200	243	
370 CFM/ton		CFM	690	763	772	785	785	
		Watts	76	123	165	211	255	
400 CFM/ton		CFM	764	816	778	847	844	
		Watts	86	137	180	231	275	
430 CFM/ton		CFM	821	876	884	892	890	
		Watts	108	159	206	256	303	
450 CFM/ton		CFM	937	968	977	985	984	
		Watts	136	193	241	295	343	
2.5		290 CFM/ton	CFM	673	749	758	771	772
			Watts	73	119	161	206	250
	310 CFM/ton	CFM	732	791	756	766	818	
		Watts	79	129	160	203	268	
	330 CFM/ton	CFM	783	843	852	861	860	
		Watts	98	147	193	242	288	
	350 CFM/ton	CFM	848	894	908	917	917	
		Watts	110	163	212	262	308	
	370 CFM/ton	CFM	892	937	945	951	947	
		Watts	129	182	232	284	333	
	400 CFM/ton	CFM	972	1015	972	957	1036	
		Watts	160	213	262	312	374	
	430 CFM/ton	CFM	1057	1078	1085	1085	1078	
		Watts	191	249	306	360	415	
	450 CFM/ton	CFM	1115	1137	1142	1140	1139	
		Watts	214	275	333	388	447	
	3	290 CFM/ton	CFM	832	885	894	901	899
			Watts	111	162	210	260	308
310 CFM/ton		CFM	898	942	950	955	951	
		Watts	131	184	234	286	336	
330 CFM/ton		CFM	964	998	1006	1009	1004	
		Watts	154	209	262	314	366	
350 CFM/ton		CFM	1039	1065	1073	1074	1075	
		Watts	181	237	292	344	402	
370 CFM/ton		CFM	1095	1111	1118	1116	1108	
		Watts	208	268	326	380	436	
400 CFM/ton		CFM	1189	1212	1214	1149	1207	
		Watts	257	320	380	435	500	
430 CFM/ton		CFM	1292	1280	1285	1278	1201	
		Watts	317	383	448	501	508	
450 CFM/ton		CFM	1326	1317	1361	1242	1166	
		Watts	366	433	495	510	509	

Cooling

NOTE:
CONTINUOUS fan mode during **COOLING** operation may not be appropriate in humid climates. If the indoor air exceeds 60% relative humidity or simply feels uncomfortably humid, it is recommended that the fan only be used in the **AUTO** mode.

- Notes:
- * First letter may be "A" or "T".
 - ** Factory setting.
 - Continuous Fan Setting: Heating or cooling airflow is approximately 50% of selected cooling value.
 - For variable speed low speed airflows are approximately 30% of listed values.
 - LOW 350 cfm/ton is recommended for variable speed application for COMFORT & HUMID CLIMATE setting; NORMAL is 400 cfm/ton; HIGH 450 cfm/ton is for DRY CLIMATE setting.

*UH3 AIRFLOW - COOLING

*UH3B080ACV3VA Furnace Cooling Airflow (CFM) and Power (Watts) vs. External Static Pressure With Filter								
Unit Outdoor	Airflow Setting		External Static Pressure					
			0.1	0.3	0.5	0.7	0.9	
2	290 CFM/ton	CFM	504	565	586	521	540	
		Watts	34	70	104	138	172	
	310 CFM/ton	CFM	547	604	624	559	579	
		Watts	40	77	112	147	182	
	330 CFM/ton	CFM	590	644	663	597	617	
		Watts	47	85	121	157	193	
	350 CFM/ton	CFM	656	695	701	703	694	
		Watts	54	93	130	167	204	
	370 CFM/ton	CFM	676	724	740	674	694	
		Watts	62	102	140	179	217	
	400 CFM/ton	CFM	764	792	801	795	789	
		Watts	75	116	157	197	238	
	430 CFM/ton	CFM	806	844	856	788	810	
		Watts	89	133	175	216	259	
	450 CFM/ton	CFM	877	899	901	895	886	
		Watts	102	145	188	230	275	
	2.5	290 CFM/ton	CFM	660	709	726	659	680
			Watts	59	99	136	174	212
310 CFM/ton		CFM	740	768	772	769	764	
		Watts	70	109	149	189	229	
330 CFM/ton		CFM	768	809	822	755	776	
		Watts	81	123	164	205	246	
350 CFM/ton		CFM	848	869	871	868	858	
		Watts	94	138	179	220	265	
370 CFM/ton		CFM	875	909	918	850	872	
		Watts	107	153	197	240	284	
400 CFM/ton		CFM	978	994	992	989	980	
		Watts	130	179	224	270	316	
430 CFM/ton		CFM	1037	1058	1063	994	1017	
		Watts	157	209	258	305	354	
450 CFM/ton		CFM	1093	1096	1082	1065	1051	
		Watts	174	227	276	324	378	
3		290 CFM/ton	CFM	816	854	865	798	819
			Watts	92	136	178	220	262
	310 CFM/ton	CFM	881	914	923	855	877	
		Watts	108	155	199	242	286	
	330 CFM/ton	CFM	945	974	981	912	935	
		Watts	127	176	222	266	313	
	350 CFM/ton	CFM	1029	1043	1043	1035	1028	
		Watts	148	199	246	292	340	
	370 CFM/ton	CFM	1074	1093	1097	1027	1050	
		Watts	170	224	274	322	372	
	400 CFM/ton	CFM	1170	1181	1184	1180	1174	
		Watts	206	262	317	370	423	
	430 CFM/ton	CFM	1268	1273	1270	1199	1224	
		Watts	254	314	372	430	484	
	450 CFM/ton	CFM	1321	1321	1306	1295	1251	
		Watts	287	351	415	477	518	
	3.5	290 CFM/ton	CFM	972	998	1005	936	959
			Watts	135	185	232	277	324
310 CFM/ton		CFM	1047	1068	1073	1003	1026	
		Watts	161	213	262	310	359	
330 CFM/ton		CFM	1123	1138	1140	1070	1094	
		Watts	189	244	296	347	398	
350 CFM/ton		CFM	1195	1204	1208	1205	1195	
		Watts	215	275	329	383	437	
370 CFM/ton		CFM	1273	1278	1275	1204	1228	
		Watts	257	317	376	433	488	
400 CFM/ton		CFM	1375	1385	1384	1383	1305	
		Watts	316	383	444	513	513	
430 CFM/ton		CFM	1499	1487	1491	1392	1303	
		Watts	389	457	513	513	513	
450 CFM/ton		CFM	1513	1512	1508	1418	1341	
		Watts	398	470	529	524	522	

Notes:

- * First letter may be "A" or "T".
- ** Factory setting.
- Continuous Fan Setting: Heating or cooling airflow is approximately 50% of selected cooling value.
- For variable speed low speed airflows are approximately 30% of listed values.
- LOW 350 cfm/ton is recommended for variable speed application for COMFORT & HUMID CLIMATE setting; NORMAL is 400 cfm/ton; HIGH 450 cfm/ton is for DRY CLIMATE setting.

NOTE:

CONTINUOUS fan mode during COOLING operation may not be appropriate in humid climates. If the indoor air exceeds 60% relative humidity or simply feels uncomfortably humid, it is recommended that the fan only be used in the AUTO mode.

*UH3 AIRFLOW - COOLING

*UH3C100ACV4VA Furnace Cooling Airflow (CFM) and Power (Watts) vs. External Static Pressure With Filter								
Unit Outdoor	Airflow Setting		External Static Pressure					
			0.1	0.3	0.5	0.7	0.9	
2.5	290 CFM/ton	CFM	714	734	739	733	722	
		Watts	79	118	157	194	231	
	310 CFM/ton	CFM	765	784	789	782	770	
		Watts	88	128	168	206	244	
	330 CFM/ton	CFM	816	834	838	831	819	
		Watts	96	138	179	220	258	
	350 CFM/ton	CFM	868	884	887	880	867	
		Watts	106	149	192	234	273	
	370 CFM/ton	CFM	919	934	936	929	916	
		Watts	117	161	205	249	290	
	400 CFM/ton	CFM	995	1009	1009	1002	989	
		Watts	135	181	227	274	316	
	430 CFM/ton	CFM	1072	1084	1083	1075	1061	
		Watts	156	204	253	302	346	
	450 CFM/ton	CFM	1123	1134	1132	1124	1110	
		Watts	171	220	271	322	368	
	3	290 CFM/ton	CFM	862	879	882	875	863
			Watts	105	148	190	232	272
310 CFM/ton		CFM	924	939	941	934	921	
		Watts	118	162	207	250	291	
330 CFM/ton		CFM	985	999	1000	992	979	
		Watts	133	178	224	270	313	
350 CFM/ton		CFM	1046	1059	1059	1051	1037	
		Watts	149	196	244	292	336	
370 CFM/ton		CFM	1108	1119	1117	1109	1095	
		Watts	167	215	265	316	362	
400 CFM/ton		CFM	1200	1209	1206	1197	1183	
		Watts	197	248	301	355	404	
430 CFM/ton		CFM	1292	1299	1294	1285	1270	
		Watts	232	286	343	400	453	
450 CFM/ton		CFM	1353	1359	1353	1344	1328	
		Watts	258	314	373	432	488	
3.5		290 CFM/ton	CFM	1011	1024	1024	1017	1003
			Watts	139	185	232	279	322
	310 CFM/ton	CFM	1082	1094	1093	1085	1071	
		Watts	159	207	256	306	351	
	330 CFM/ton	CFM	1154	1164	1162	1153	1139	
		Watts	181	231	283	335	382	
	350 CFM/ton	CFM	1225	1234	1230	1222	1207	
		Watts	206	258	312	367	417	
	370 CFM/ton	CFM	1297	1304	1299	1290	1275	
		Watts	234	288	345	402	455	
	400 CFM/ton	CFM	1404	1409	1402	1393	1377	
		Watts	281	340	400	462	520	
	430 CFM/ton	CFM	1512	1514	1505	1495	1478	
		Watts	336	399	464	530	595	
	450 CFM/ton	CFM	1583	1584	1574	1564	1546	
		Watts	377	444	512	580	650	
	4	290 CFM/ton	CFM	1159	1169	1167	1158	1144
			Watts	183	233	285	337	385
310 CFM/ton		CFM	1241	1249	1245	1236	1221	
		Watts	212	264	319	374	425	
330 CFM/ton		CFM	1323	1329	1324	1315	1299	
		Watts	244	300	358	416	470	
350 CFM/ton		CFM	1404	1409	1402	1393	1377	
		Watts	281	340	400	462	520	
370 CFM/ton		CFM	1486	1489	1481	1471	1454	
		Watts	322	384	448	513	576	
400 CFM/ton		CFM	1609	1609	1599	1588	1571	
		Watts	393	461	530	599	671	
430 CFM/ton		CFM	1732	1730	1716	1705	1687	
		Watts	475	550	624	698	781	
450 CFM/ton		CFM	1813	1810	1795	1783	1765	
		Watts	536	617	694	772	864	

Cooling

NOTE:
CONTINUOUS fan mode during COOLING operation may not be appropriate in humid climates. If the indoor air exceeds 60% relative humidity or simply feels uncomfortably humid, it is recommended that the fan only be used in the AUTO mode.

- Notes:
- * First letter may be "A" or "T".
 - ** Factory setting.
 - Continuous Fan Setting: Heating or cooling airflow is approximately 50% of selected cooling
 - For variable speed low speed airflows are approximately 30% of listed values.
 - LOW 350 cfm/ton is recommended for variable speed application for COMFORT & HUMID CLIMATE setting; NORMAL is 400 cfm/ton; HIGH 450 cfm/ton is for DRY CLIMATE setting.

*UH3 AIRFLOW - COOLING

*UH3D120ACV5VA Furnace Cooling Airflow (CFM) and Power (Watts) vs. External Static Pressure With Filter							
Unit Outdoor	Airflow Setting	External Static Pressure					
		0.1	0.3	0.5	0.7	0.9	
3.5	290 CFM/ton	CFM	1000	1024	1028	1022	1011
		Watts	122	168	209	251	300
	310 CFM/ton	CFM	1072	1094	1097	1089	1076
		Watts	140	188	234	281	331
	330 CFM/ton	CFM	1143	1164	1165	1157	1141
		Watts	160	211	261	313	364
	350 CFM/ton	CFM	1214	1233	1234	1224	1207
		Watts	182	236	291	347	400
	370 CFM/ton	CFM	1286	1303	1302	1291	1272
		Watts	207	264	323	384	438
	400 CFM/ton	CFM	1393	1408	1405	1392	1370
		Watts	250	311	377	444	500
	430 CFM/ton	CFM	1500	1513	1508	1492	1468
		Watts	300	365	437	509	565
	450 CFM/ton	CFM	1571	1582	1576	1559	1533
		Watts	337	406	481	555	611
4	290 CFM/ton	CFM	1148	1169	1170	1161	1146
		Watts	161	213	263	315	367
	310 CFM/ton	CFM	1230	1248	1248	1238	1221
		Watts	187	242	297	355	408
	330 CFM/ton	CFM	1311	1328	1327	1315	1295
		Watts	217	274	335	398	452
	350 CFM/ton	CFM	1393	1408	1405	1392	1370
		Watts	250	311	377	444	500
	370 CFM/ton	CFM	1474	1488	1483	1468	1445
		Watts	287	352	422	493	549
	400 CFM/ton	CFM	1597	1607	1601	1583	1556
		Watts	352	421	497	572	628
	430 CFM/ton	CFM	1719	1727	1718	1699	1668
		Watts	427	503	581	655	711
	450 CFM/ton	CFM	1801	1807	1797	1775	1743
		Watts	483	563	642	712	768
5	290 CFM/ton	CFM	1444	1458	1454	1440	1417
		Watts	273	336	405	475	530
	310 CFM/ton	CFM	1546	1557	1552	1535	1510
		Watts	324	391	465	538	594
	330 CFM/ton	CFM	1648	1657	1650	1631	1603
		Watts	381	454	531	606	662
	350 CFM/ton	CFM	1750	1757	1748	1727	1696
		Watts	447	525	603	676	732
	370 CFM/ton	CFM	1852	1857	1845	1823	1790
		Watts	522	604	682	749	804
	400 CFM/ton	CFM	2004	2006	1992	1967	1947
		Watts	651	742	811	863	966
	430 CFM/ton	CFM	2157	2156	2140	2050	1947
		Watts	803	902	966	966	966
	450 CFM/ton	CFM	2259	2255	2140	2050	1947
		Watts	966	966	966	966	966

NOTE:
CONTINUOUS fan mode during COOLING operation may not be appropriate in humid climates. If the indoor air exceeds 60% relative humidity or simply feels uncomfortably humid, it is recommended that the fan only be used in the AUTO mode.

Notes:

- * First letter may be "A" or "T".
- ** Factory setting.
- Continuous Fan Setting: Heating or cooling airflow is approximately 50% of selected
- For variable speed low speed airflows are approximately 30% of listed values.
- LOW 350 cfm/ton is recommended for variable speed application for COMFORT & HUMID
 HIGH 450 cfm/ton is for DRY CLIMATE setting.

*DH3 AIRFLOW - HEATING

		*DH3B060ACV3VA Furnace Heating Airflow (CFM) and Power (watts) vs. External Static Pressure With Filter							
		Airflow Setting	Target Airflow	External Static Pressure					
				0.1	0.3	0.5	0.7	0.9	
Heating	Heating 1st Stage	Low	540	CFM	428	488	514	523	524
				Temp. Rise	48	42	40	39	39
				Watts	41	65	98	129	159
		Medium Low	610	CFM	493	544	571	581	582
				Temp. Rise	41	38	36	35	35
				Watts	41	74	108	142	174
		Medium**	680	CFM	565	610	634	642	641
				Temp. Rise	36	34	32	32	32
				Watts	52	87	123	158	192
		High	770	CFM	659	694	704	705	703
				Temp. Rise	31	29	29	29	29
				Watts	69	109	144	181	221
	Heating 2nd Stage	Low	680	CFM	563	611	625	629	626
				Temp. Rise	54	50	49	49	49
				Watts	52	88	123	159	195
		Medium Low	760	CFM	645	684	703	709	707
				Temp. Rise	48	45	44	43	43
				Watts	67	105	142	178	214
		Medium**	860	CFM	744	775	790	794	789
				Temp. Rise	41	40	39	39	39
				Watts	90	131	170	208	246
		High	970	CFM	854	876	885	887	879
				Temp. Rise	36	35	35	35	35
				Watts	122	166	208	249	289
Heating 3rd Stage	Low	900	CFM	783	807	814	813	809	
			Temp. Rise	65	63	63	63	63	
			Watts	102	143	182	220	260	
	Medium Low	1010	CFM	896	914	922	923	914	
			Temp. Rise	57	56	55	55	56	
			Watts	136	182	224	266	308	
	Medium**	1130	CFM	1015	1024	1026	1024	1012	
			Temp. Rise	50	50	50	50	50	
			Watts	184	233	279	325	369	
	High	1290	CFM	1172	1171	1174	1173	1172	
			Temp. Rise	44	44	44	44	44	
			Watts	263	317	371	422	473	

		*DH3B080ACV3VA Furnace Cooling Airflow (CFM) and Power (Watts) vs. External Static Pressure With Filter							
		Airflow Setting	Target Airflow	External Static Pressure					
				0.1	0.3	0.5	0.7	0.9	
Heating	Heating 1st Stage	Low	670	CFM	635	656	668	673	670
				Temp. Rise	43	42	41	41	41
				Watts	61	95	131	166	202
		Medium Low	760	CFM	726	744	755	757	753
				Temp. Rise	38	37	36	36	36
				Watts	80	118	156	193	231
		Medium**	840	CFM	817	833	842	842	835
				Temp. Rise	33	33	32	32	33
				Watts	104	145	184	223	263
		High	970	CFM	954	966	973	969	959
				Temp. Rise	29	28	28	28	28
				Watts	148	194	237	278	321
	Heating 2nd Stage	Low	800	CFM	780	797	807	807	802
				Temp. Rise	61	60	59	59	60
				Watts	93	133	172	210	250
		Medium Low	910	CFM	890	904	911	909	901
				Temp. Rise	54	53	52	52	53
				Watts	126	170	211	251	293
		Medium**	1010	CFM	999	1011	1016	1011	1000
				Temp. Rise	48	47	47	47	48
				Watts	165	213	257	300	343
		High	1160	CFM	1163	1170	1173	1163	1148
				Temp. Rise	41	41	41	41	42
				Watts	239	291	340	388	434
Heating 3rd Stage	Low	1120	CFM	1120	1129	1132	1124	1109	
			Temp. Rise	61	60	60	61	61	
			Watts	218	269	316	363	408	
	Medium Low	1260	CFM	1272	1277	1277	1265	1242	
			Temp. Rise	54	53	53	54	55	
			Watts	299	353	406	459	502	
	Medium**	1400	CFM	1411	1409	1386	1321	1250	
			Temp. Rise	48	48	49	52	55	
			Watts	396	454	503	502	501	
	High	1610	CFM	1558	1491	1408	1320	1242	
			Temp. Rise	44	46	48	52	55	
			Watts	502	502	502	502	502	

Notes:
 1. * First letter may be "A" or "T".
 2. ** Factory setting.
 3. Continuous Fan Setting: Heating or cooling airflow is approximately 50% of selected cooling value.
 4. LOW 350 cfm/ton is recommended for variable speed application for COMFORT & HUMID CLIMATE setting; NORMAL is 400 cfm/ton; HIGH 450 cfm/ton is for DRY CLIMATE setting.
 5. Target airflow is field selectable for third stage heating. Target airflow for first and second stage heating are percentages of third stage target and are not field selectable.

***DH3 AIRFLOW - HEATING**

		*DH3C100ACV4VA Furnace Cooling Airflow (CFM) and Power (Watts) vs. External Static Pressure With Filter						
	Airflow Setting	Target Airflow		External Static Pressure				
				0.1	0.3	0.5	0.7	0.9
Heating 1st Stage	Low	800	CFM	796	785	769	750	728
			Temp. Rise	43	43	44	45	47
			Watts	79	132	182	231	266
	Medium Low	890	CFM	886	874	856	835	810
			Temp. Rise	38	39	40	41	42
			Watts	107	163	215	265	308
	Medium**	1010	CFM	1012	998	977	953	925
			Temp. Rise	34	34	35	36	37
			Watts	154	212	264	315	367
	High	1080	CFM	1077	1063	1041	1016	985
			Temp. Rise	32	32	33	34	35
			Watts	181	240	292	343	398
Heating 2nd Stage	Low	960	CFM	956	943	923	901	874
			Temp. Rise	62	63	65	66	68
			Watts	132	189	242	292	340
	Medium Low	1070	CFM	1063	1049	1027	1002	973
			Temp. Rise	56	57	58	59	61
			Watts	175	234	286	337	392
	Medium**	1210	CFM	1214	1198	1173	1144	1110
			Temp. Rise	49	50	51	52	54
			Watts	246	304	354	403	463
	High	1300	CFM	1293	1275	1249	1219	1182
			Temp. Rise	46	47	48	49	50
			Watts	287	344	393	439	501
Heating 3rd Stage	Low	1330	CFM	1327	1309	1282	1251	1213
			Temp. Rise	64	65	66	68	70
			Watts	305	362	410	455	516
	Medium Low	1480	CFM	1476	1456	1426	1392	1350
			Temp. Rise	58	58	60	61	63
			Watts	395	448	489	529	584
	Medium**	1690	CFM	1686	1663	1629	1589	1542
			Temp. Rise	51	51	52	54	55
			Watts	538	583	612	639	672
	High	1800	CFM	1796	1771	1735	1693	1642
			Temp. Rise	47	48	49	50	52
			Watts	622	661	682	726	726

		*DH3D120ACV5VA Furnace Cooling Airflow (CFM) and Power (Watts) vs. External Static Pressure With Filter						
	Airflow Setting	Target Airflow		External Static Pressure				
				0.1	0.3	0.5	0.7	0.9
Heating 1st Stage	Low	1000	CFM	950	986	1010	1017	950
			Temp. Rise	43	41	40	40	43
			Watts	118	172	225	278	331
	Medium Low	1110	CFM	1073	1102	1120	1122	1073
			Temp. Rise	38	37	37	36	38
			Watts	152	213	274	333	390
	Medium**	1220	CFM	1197	1218	1230	1227	1197
			Temp. Rise	34	34	33	33	34
			Watts	194	260	329	393	453
	High	1400	CFM	1392	1401	1404	1393	1392
			Temp. Rise	29	29	29	29	29
			Watts	278	352	428	498	560
Heating 2nd Stage	Low	1200	CFM	1166	1189	1202	1200	1166
			Temp. Rise	61	60	60	60	61
			Watts	183	248	314	378	437
	Medium Low	1330	CFM	1314	1328	1334	1326	1314
			Temp. Rise	54	54	54	54	54
			Watts	242	313	387	455	517
	Medium**	1470	CFM	1462	1467	1466	1452	1462
			Temp. Rise	49	49	49	49	49
			Watts	315	389	468	539	600
	High	1690	CFM	1697	1687	1674	1651	1697
			Temp. Rise	42	42	43	43	42
			Watts	461	537	615	683	739
Heating 3rd Stage	Low	1660	CFM	1670	1662	1650	1628	1670
			Temp. Rise	61	61	62	63	61
			Watts	442	518	597	666	722
	Medium Low	1850	CFM	1876	1856	1833	1803	1876
			Temp. Rise	54	55	56	57	54
			Watts	602	674	744	803	847
	Medium**	2040	CFM	2082	2049	2017	2027	1946
			Temp. Rise	49	50	51	50	53
			Watts	800	859	910	1034	1031
	High	2340	CFM	2254	2180	2100	2027	1946
			Temp. Rise	45	47	49	50	53
			Watts	1007	1036	1034	1034	1031

Notes:
 1. * First letter may be "A" or "T".
 2. ** Factory setting.
 3. Continuous Fan Setting: Heating or cooling airflow is approximately 50% of selected cooling value.
 4. LOW 350 cfm/ton is recommended for variable speed application for COMFORT & HUMID CLIMATE setting; NORMAL is 400 cfm/ton; HIGH 450 cfm/ton is for DRY CLIMATE setting.
 5. Target airflow is field selectable for third stage heating. Target airflow for first and second stage heating are percentages of third stage target and are not field selectable.

*DH3 AIRFLOW - COOLING

*DH3B060ACV3VA Furnace Cooling Airflow (CFM) and Power (Watts) vs. External Static Pressure With Filter								
Unit Outdoor	Airflow Setting	External Static Pressure						
		0.1	0.3	0.5	0.7	0.9		
1.5	290 CFM/ton	CFM	272	388	423	436	442	
		Watts	24	52	82	111	141	
	310 CFM/ton	CFM	353	415	449	461	466	
		Watts	26	55	86	116	146	
	330 CFM/ton	CFM	383	443	475	487	491	
		Watts	29	59	90	121	152	
	350 CFM/ton	CFM	413	472	503	512	513	
		Watts	32	62	96	126	157	
	370 CFM/ton	CFM	443	498	527	538	540	
		Watts	35	67	99	132	163	
	400 CFM/ton	CFM	487	535	557	564	562	
		Watts	40	73	107	141	173	
	430 CFM/ton	CFM	532	580	605	614	614	
		Watts	47	81	116	150	183	
	450 CFM/ton	CFM	563	611	625	629	626	
		Watts	52	88	123	159	195	
	2	290 CFM/ton	CFM	468	520	549	559	561
			Watts	38	70	104	136	169
310 CFM/ton		CFM	507	557	583	593	593	
		Watts	43	77	111	145	177	
330 CFM/ton		CFM	547	594	618	627	626	
		Watts	49	84	119	153	187	
350 CFM/ton		CFM	585	633	647	648	647	
		Watts	56	93	129	165	203	
370 CFM/ton		CFM	627	667	688	694	692	
		Watts	63	100	137	173	208	
400 CFM/ton		CFM	686	716	725	727	725	
		Watts	76	115	151	189	228	
430 CFM/ton		CFM	746	777	792	796	790	
		Watts	90	131	170	209	247	
450 CFM/ton		CFM	783	807	814	813	809	
		Watts	102	143	182	220	260	
2.5		290 CFM/ton	CFM	612	653	675	682	680
			Watts	60	97	133	169	204
	310 CFM/ton	CFM	662	699	718	724	721	
		Watts	70	109	146	183	219	
	330 CFM/ton	CFM	711	745	761	766	762	
		Watts	82	121	160	198	235	
	350 CFM/ton	CFM	763	785	790	793	786	
		Watts	95	136	174	212	252	
	370 CFM/ton	CFM	811	837	848	851	844	
		Watts	109	151	192	232	271	
	400 CFM/ton	CFM	894	907	914	914	905	
		Watts	134	178	221	262	303	
	430 CFM/ton	CFM	960	974	978	978	967	
		Watts	161	208	252	297	339	
	450 CFM/ton	CFM	1012	1021	1025	1028	1023	
		Watts	182	231	279	324	369	
	3	290 CFM/ton	CFM	756	786	800	804	799
			Watts	93	134	173	212	250
310 CFM/ton		CFM	816	841	852	855	848	
		Watts	110	153	194	234	273	
330 CFM/ton		CFM	876	896	904	906	897	
		Watts	130	174	216	258	299	
350 CFM/ton		CFM	941	953	961	959	954	
		Watts	151	198	242	285	328	
370 CFM/ton		CFM	995	1006	1009	1007	996	
		Watts	175	223	269	314	358	
400 CFM/ton		CFM	1085	1087	1091	1092	1090	
		Watts	216	265	316	365	412	
430 CFM/ton		CFM	1172	1171	1174	1173	1172	
		Watts	263	317	371	422	473	
450 CFM/ton		CFM	1227	1227	1231	1234	1207	
		Watts	299	356	412	467	502	

Notes:

- * First letter may be "A" or "T".
- ** Factory setting.
- Continuous Fan Setting: Heating or cooling airflow is approximately 50% of selected cooling value.
- For variable speed low speed airflows are approximately 30% of listed values.
- LOW 350 cfm/ton is recommended for variable speed application for COMFORT & HUMID CLIMATE setting; NORMAL is 400 cfm/ton; HIGH 450 cfm/ton is for DRY CLIMATE setting.

NOTE:

CONTINUOUS fan mode during COOLING operation may not be appropriate in humid climates. If the indoor air exceeds 60% relative humidity or simply feels uncomfortably humid, it is recommended that the fan only be used in the AUTO mode.

*DH3 AIRFLOW - COOLING

*DH3B080ACV3VA Furnace Cooling Airflow (CFM) and Power (Watts) vs. External Static Pressure With Filter							
Unit Outdoor	Airflow Setting		External Static Pressure				
			0.1	0.3	0.5	0.7	0.9
2	290 CFM/ton	CFM	535	558	572	580	580
		Watts	44	74	108	142	175
	310 CFM/ton	CFM	579	601	614	620	619
		Watts	51	82	118	152	187
	330 CFM/ton	CFM	622	643	655	660	659
		Watts	58	92	128	163	199
	350 CFM/ton	CFM	665	697	705	697	694
		Watts	67	104	141	175	214
	370 CFM/ton	CFM	709	728	738	741	737
		Watts	76	113	151	187	225
	400 CFM/ton	CFM	779	802	809	797	793
		Watts	90	131	169	207	250
	430 CFM/ton	CFM	839	854	863	862	855
		Watts	110	152	192	231	272
	450 CFM/ton	CFM	903	917	916	906	891
		Watts	125	168	208	248	287
2.5	290 CFM/ton	CFM	692	712	723	726	722
		Watts	72	109	146	182	220
	310 CFM/ton	CFM	747	765	774	776	771
		Watts	85	123	162	199	238
	330 CFM/ton	CFM	801	817	826	827	820
		Watts	99	140	179	217	257
	350 CFM/ton	CFM	855	870	878	877	869
		Watts	115	157	198	237	278
	370 CFM/ton	CFM	909	923	930	927	918
		Watts	132	177	218	259	301
	400 CFM/ton	CFM	1005	1014	1014	1003	993
		Watts	164	211	252	295	337
	430 CFM/ton	CFM	1072	1082	1086	1078	1065
		Watts	196	246	291	336	381
	450 CFM/ton	CFM	1126	1134	1137	1129	1114
		Watts	221	272	319	366	411
3	290 CFM/ton	CFM	849	865	873	872	864
		Watts	113	156	196	235	276
	310 CFM/ton	CFM	915	928	935	932	923
		Watts	134	179	221	261	303
	330 CFM/ton	CFM	980	992	997	993	982
		Watts	158	205	248	290	333
	350 CFM/ton	CFM	1045	1055	1060	1053	1041
		Watts	184	233	278	322	366
	370 CFM/ton	CFM	1110	1119	1122	1114	1100
		Watts	213	264	311	357	402
	400 CFM/ton	CFM	1211	1208	1209	1202	1195
		Watts	260	312	366	418	465
	430 CFM/ton	CFM	1305	1309	1309	1295	1242
		Watts	319	373	428	482	502
	450 CFM/ton	CFM	1370	1372	1371	1320	1242
		Watts	360	415	473	502	502

NOTE:
CONTINUOUS fan mode during **COOLING** operation may not be appropriate in humid climates. If the indoor air exceeds 60% relative humidity or simply feels uncomfortably humid, it is recommended that the fan only be used in the **AUTO** mode.

Notes:
 1. * First letter may be "A" or "T".
 2. ** Factory setting.
 3. Continuous Fan Setting: Heating or cooling airflow is approximately 50% of selected cooling value.
 4. For variable speed low speed airflows are approximately 30% of listed values.
 5. LOW 350 cfm/ton is recommended for variable speed application for COMFORT & HUMID CLIMATE setting; NORMAL is 400 cfm/ton; HIGH 450 cfm/ton is for DRY CLIMATE setting.

*DH3 AIRFLOW - COOLING

*DH3C100ACV4VA Furnace Cooling Airflow (CFM) and Power (Watts) vs. External Static Pressure With Filter								
Unit Outdoor	Airflow Setting	External Static Pressure						
		0.1	0.3	0.5	0.7	0.9		
2.5	290 CFM/ton	CFM	723	713	699	682	661	
		Watts	58	109	157	204	234	
	310 CFM/ton	CFM	773	763	747	729	707	
		Watts	72	125	174	222	256	
	330 CFM/ton	CFM	823	812	795	776	753	
		Watts	87	141	192	241	279	
	350 CFM/ton	CFM	873	861	843	823	798	
		Watts	103	158	210	260	302	
	370 CFM/ton	CFM	923	910	892	870	844	
		Watts	120	177	229	279	325	
	400 CFM/ton	CFM	998	984	964	940	912	
		Watts	148	206	258	309	360	
	430 CFM/ton	CFM	1072	1058	1036	1011	981	
		Watts	179	238	290	341	396	
	450 CFM/ton	CFM	1122	1107	1084	1058	1026	
		Watts	201	260	312	362	420	
	3	290 CFM/ton	CFM	868	856	839	818	794
			Watts	101	157	208	258	299
310 CFM/ton		CFM	928	915	896	874	849	
		Watts	122	179	231	281	327	
330 CFM/ton		CFM	988	974	954	931	903	
		Watts	144	202	254	305	356	
350 CFM/ton		CFM	1047	1033	1012	987	958	
		Watts	169	227	279	330	384	
370 CFM/ton		CFM	1107	1092	1070	1044	1013	
		Watts	195	253	305	356	413	
400 CFM/ton		CFM	1197	1181	1157	1128	1095	
		Watts	237	296	346	395	455	
430 CFM/ton		CFM	1287	1269	1243	1213	1177	
		Watts	284	341	390	436	498	
450 CFM/ton		CFM	1347	1329	1301	1269	1232	
		Watts	317	373	420	465	526	
3.5		290 CFM/ton	CFM	1013	999	978	954	926
			Watts	154	212	265	315	367
	310 CFM/ton	CFM	1082	1068	1046	1020	990	
		Watts	184	242	294	345	401	
	330 CFM/ton	CFM	1152	1137	1113	1086	1054	
		Watts	215	274	325	375	434	
	350 CFM/ton	CFM	1222	1206	1181	1152	1118	
		Watts	250	308	358	406	467	
	370 CFM/ton	CFM	1292	1274	1248	1218	1182	
		Watts	286	344	392	439	500	
	400 CFM/ton	CFM	1397	1378	1349	1316	1277	
		Watts	346	401	446	489	548	
	430 CFM/ton	CFM	1501	1481	1451	1415	1373	
		Watts	411	463	503	541	595	
	450 CFM/ton	CFM	1571	1550	1518	1481	1437	
		Watts	457	507	543	577	625	
	4	290 CFM/ton	CFM	1157	1142	1118	1091	1058
			Watts	218	276	328	377	436
310 CFM/ton		CFM	1237	1220	1195	1166	1131	
		Watts	257	315	365	413	474	
330 CFM/ton		CFM	1317	1299	1272	1241	1204	
		Watts	300	357	405	450	512	
350 CFM/ton		CFM	1397	1378	1349	1316	1277	
		Watts	346	401	446	489	548	
370 CFM/ton		CFM	1476	1456	1426	1392	1350	
		Watts	395	448	489	529	584	
400 CFM/ton		CFM	1596	1575	1542	1504	1460	
		Watts	474	523	558	591	636	
430 CFM/ton		CFM	1716	1693	1658	1617	1569	
		Watts	560	604	631	726	726	
450 CFM/ton		CFM	1796	1771	1735	1693	1642	
		Watts	622	661	682	726	726	

Cooling

NOTE:
CONTINUOUS fan mode during COOLING operation may not be appropriate in humid climates. If the indoor air exceeds 60% relative humidity or simply feels uncomfortably humid, it is recommended that the fan only be used in the AUTO mode.

Notes:
 1. * First letter may be "A" or "T".
 2. ** Factory setting.
 3. Continuous Fan Setting: Heating or cooling airflow is approximately 50% of selected cooling value.
 4. For variable speed low speed airflows are approximately 30% of listed values.
 5. LOW 350 cfm/ton is recommended for variable speed application for COMFORT & HUMID CLIMATE setting; NORMAL is 400 cfm/ton; HIGH 450 cfm/ton is for DRY CLIMATE setting.

***DH3 AIRFLOW - COOLING**

*DH3D120ACV5VA Furnace Cooling Airflow (CFM) and Power (Watts) vs. External Static Pressure With Filter										
Unit	Airflow Setting	External Static Pressure								
		0.1	0.3	0.5	0.7	0.9				
Cooling	3.5	290 CFM/ton	CFM	970	1005	1029	1035	970		
			Watts	124	178	233	287	341		
		310 CFM/ton	CFM	1046	1076	1096	1099	1046		
			Watts	144	203	263	320	377		
		330 CFM/ton	CFM	1122	1148	1163	1163	1122		
			Watts	168	231	295	356	415		
		350 CFM/ton	CFM	1198	1219	1231	1228	1198		
			Watts	195	261	329	394	454		
		370 CFM/ton	CFM	1274	1290	1298	1292	1274		
			Watts	225	294	366	433	495		
		400 CFM/ton	CFM	1388	1397	1400	1389	1388		
			Watts	276	349	426	496	558		
		430 CFM/ton	CFM	1502	1504	1501	1486	1502		
			Watts	336	412	491	562	623		
		450 CFM/ton	CFM	1578	1576	1568	1550	1578		
			Watts	381	458	537	608	668		
		Cooling	4	290 CFM/ton	CFM	1127	1153	1168	1168	1127
					Watts	170	233	297	359	417
310 CFM/ton	CFM			1214	1234	1245	1242	1214		
	Watts			201	268	337	402	463		
330 CFM/ton	CFM			1301	1316	1323	1315	1301		
	Watts			236	306	380	448	509		
350 CFM/ton	CFM			1388	1397	1400	1389	1388		
	Watts			276	349	426	496	558		
370 CFM/ton	CFM			1475	1479	1477	1463	1475		
	Watts			321	396	475	546	607		
400 CFM/ton	CFM			1605	1601	1592	1573	1605		
	Watts			399	475	555	625	684		
430 CFM/ton	CFM			1735	1723	1708	1683	1735		
	Watts			489	564	642	708	762		
450 CFM/ton	CFM			1822	1805	1785	1757	1822		
	Watts			557	630	704	766	814		
Cooling	5			290 CFM/ton	CFM	1442	1448	1448	1435	1442
					Watts	304	378	456	527	589
		310 CFM/ton	CFM	1550	1550	1544	1527	1550		
			Watts	365	441	521	591	652		
		330 CFM/ton	CFM	1659	1652	1641	1619	1659		
			Watts	435	511	590	659	716		
		350 CFM/ton	CFM	1767	1754	1737	1711	1767		
			Watts	513	588	665	730	781		
		370 CFM/ton	CFM	1876	1856	1833	1803	1876		
			Watts	602	674	744	803	847		
		400 CFM/ton	CFM	2038	2009	1978	1941	1946		
			Watts	755	817	873	918	1031		
		430 CFM/ton	CFM	2201	2161	2100	2027	1946		
			Watts	933	981	1034	1034	1031		
		450 CFM/ton	CFM	2310	2180	2100	2027	1946		
			Watts	1067	1036	1034	1034	1031		
		Notes:								
		1. * First letter may be "A" or "T".								
2. ** Factory setting.										
3. Continuous Fan Setting: Heating or cooling airflow is approximately 50% of selected cooling value.										
4. For variable speed low speed airflows are approximately 30% of listed values.										
5. LOW 350 cfm/ton is recommended for variable speed application for COMFORT & HUMID CLIMATE setting; NORMAL is 400 cfm/ton; HIGH 450 cfm/ton is for DRY CLIMATE setting.										

NOTE:
CONTINUOUS fan mode during **COOLING** operation may not be appropriate in humid climates. If the indoor air exceeds 60% relative humidity or simply feels uncomfortably humid, it is recommended that the fan only be used in the **AUTO mode**.

Maximum Vent Length Table

VENT LENGTH TABLE WITH BAYHALT KIT (HIGH ALTITUDE KIT)			
ALTITUDE	MAXIMUM TOTAL EQUIVALENT LENGTH IN FEET FOR VENT AND INLET AIR (SEE NOTES)		
5,000 - 12,000 Feet	2 INCH PIPE	2.5 INCH PIPE	3 INCH PIPE
Natural Gas - All models			
Liquid Propane Gas - All models except *UH3, *DH3			
*UY060R, *UH2B060A9V3V *UX060R, *UX2B060A9362 *UX2B060AFV3V *DY060R, *DH2B060A9V3V *DX060R, *DX2B060A9362 *UY080R, *UH2B080A9V3V *UH3B060ACV3V *DH3B060ACV3V	200	200	200
*UX080R, *UX2B080A9422 *UX2B080AFV3V *DY080R, *DH2B080A9V3V *DX080R, *DX2B080A9422 *UH3B080ACV3V *DH3B080ACV3V	50	120	200
*UY100R, *UH2C100A9V4V *UX100R, *UX2C100A9482 *UX2C100AFV4V *DY100R, *DH2C100A9V4V *DX100R, *DX2C100A9482 *UH3C100ACV4V *DH3C100ACV4V	Not Allowed	60	200
*UY120R, *UH2D120A9V5V *UX120R, *UX2D120A9602 *UX2D120AFV5V *DY120R, *DH2D120A9V5V *DX120R, *DX2D120A9602 *UH3D120ACV5V *DH3D120ACV5V	Not Allowed	Not Allowed	200
Liquid Propane Gas - *UH3, *DH3 models ONLY			
*UH/DH3B060ACV3V *UH/DH3B080ACV3V *UH/DH3C100ACV4V	Not Allowed	Not Allowed	150
*UH/DH3D120ACV5V	Not Allowed	Not Allowed	100

NOTES: *First letter may be "A", "C" or "T"

1. Minimum vent length for all models: 3' horizontal and vertical.
2. DO NOT MIX PIPE DIAMETERS IN THE SAME LENGTH OF PIPE OUTSIDE THE FURNACE CABINET, (Except adapters at the top of the furnace).
3. MAXIMUM PIPE LENGTHS MUST NOT BE EXCEEDED! THE LENGTH SHOWN IS NOT A COMBINED TOTAL, IT IS THE MAXIMUM LENGTH OF EACH (Vent or inlet air pipes).
4. One SHORT radius 90° elbow is equivalent to 10' of 3" pipe and one LONG radius elbow is equivalent to 6' of 3" pipe. One 90° elbow is equivalent to 7-1/2' of 2-1/2" pipe or 5' of 2" pipe. Two 45° elbows equal one 90° elbow.
5. The termination tee or bend must be included in the total number of elbows. If the BAYAIR30AVENT termination kit is used, the equivalent length is 0 feet.
6. Pipe adapters are field supplied (except 100,120,UX1C06A960 & all downflow models).

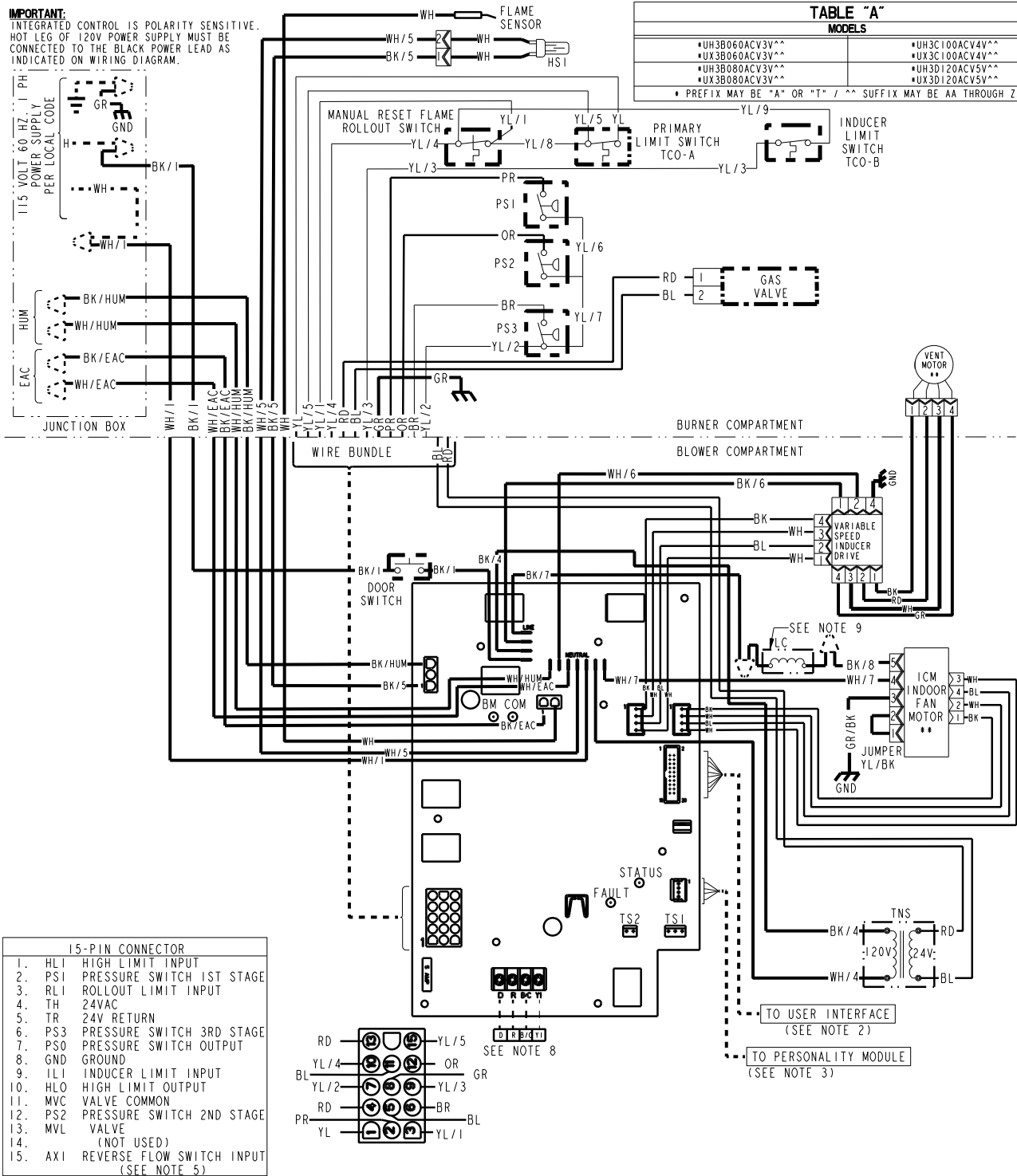
Electrical Data

*UH3 Wiring Diagram

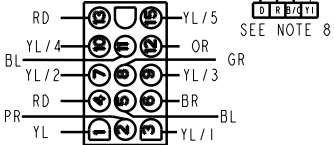
IMPORTANT:
INTEGRATED CONTROL IS POLARITY SENSITIVE.
HOT LEG OF 120V POWER SUPPLY MUST BE
CONNECTED TO THE BLACK POWER LEAD AS
INDICATED ON WIRING DIAGRAM.

TABLE "A"	
MODELS	
*UH3B060ACV3V**	*UH3C100ACV4V**
*UX3B060ACV3V**	*UX3C100ACV4V**
*UH3B080ACV3V**	*UH3D120ACV5V**
*UX3B080ACV3V**	*UX3D120ACV5V**

* PREFIX MAY BE "A" OR "T" / ** SUFFIX MAY BE AA THROUGH ZZ



15-PIN CONNECTOR	
1.	H/LI HIGH LIMIT INPUT
2.	PS1 PRESSURE SWITCH 1ST STAGE
3.	R/LI ROLLOUT LIMIT INPUT
4.	TH 24VAC
5.	TR 24V RETURN
6.	PS3 PRESSURE SWITCH 3RD STAGE
7.	PS0 PRESSURE SWITCH OUTPUT
8.	GND GROUND
9.	I/LI INDUCER LIMIT INPUT
10.	H/O HIGH LIMIT OUTPUT
11.	MVC VALVE COMMON
12.	PS2 PRESSURE SWITCH 2ND STAGE
13.	MVL VALVE (NOT USED)
14.	AXI REVERSE FLOW SWITCH INPUT (SEE NOTE 5)



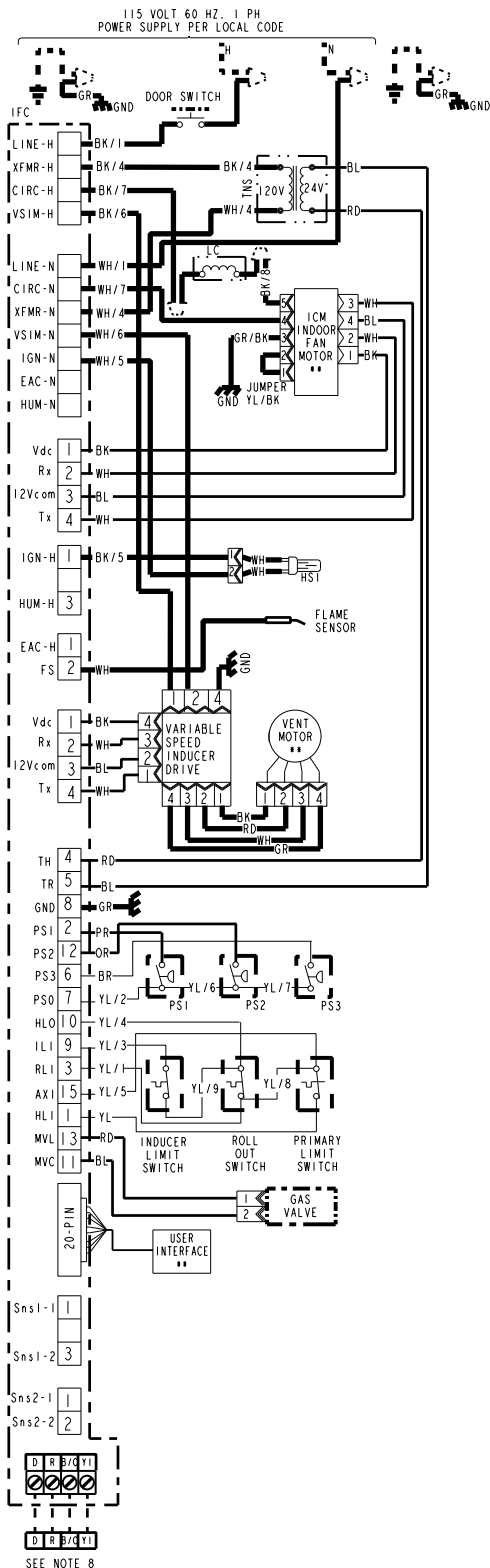
TO USER INTERFACE (SEE NOTE 2)
TO PERSONALITY MODULE (SEE NOTE 3)

⚠ CAUTION

Label all wires prior to disconnection when servicing controls. Wiring errors can cause improper and dangerous operation. Verify proper operation after servicing.

Electrical Data

*UH3 Schematic Diagram



DIAGNOSTIC CODES (SEE NOTE 10)	
RED LED - FAULT Data - 1 Flash every 20 seconds	
2 FLASHES - SYSTEM LOCKOUT RETRIES OR RECYCLES EXCEEDED	6 FLASHES - 115 VOLT AC POWER REVERSED OR IGNITER FAULT
3 FLASHES - PRESSURE SWITCH FAULT	7 FLASHES - GAS VALVE CIRCUIT ERROR
4 FLASHES - OPEN LIMIT SWITCH	8 FLASHES - LOW FLAME SENSE SIGNAL
5 FLASHES - FLAME SENSED WHEN NO FLAME SHOULD BE PRESENT	9 FLASHES - OPEN INDUCER LIMIT
	10 FLASHES - COMMUNICATION FAULT
	CONTINUOUS ON - INTERNAL CONTROL FAILURE
GREEN LED - STATUS	
SLOW FLASH - NORMAL, NO CALL FOR HEAT	
FAST FLASH - NORMAL, CALL FOR HEAT PRESENT	
GREEN AND RED LED'S ON CONTINUOUS - INTERNAL CONTROL FAILURE	
GREEN AND RED LED'S OFF CONTINUOUS - FUSE OPEN	

WARNING	CAUTION
HAZARDOUS VOLTAGE DISCONNECT ALL ELECTRICAL POWER INCLUDING REMOTE DISCONNECTS BEFORE SERVICING. FAILURE TO DISCONNECT POWER BEFORE SERVICING CAN CAUSE SEVERE PERSONAL INJURY OR DEATH.	USE COPPER CONDUCTORS ONLY! UNIT TERMINALS ARE NOT DESIGNED TO ACCEPT OTHER TYPES OF CONDUCTORS. FAILURE TO DO SO MAY CAUSE DAMAGE TO THE EQUIPMENT.

INTEGRATED FURNACE CONTROL

REPLACE WITH PART CNT 04829 OR EQUIVALENT
ELECTRICAL RATING
INPUT: 25 V.A.C., 60 HZ.
XFMR SEC. CURRENT: 450 MA. + MV LOAD
MV OUTPUT: 1.5 A @ 24 V.A.C.
IND OUTPUT: 3 PHASE OUTPUT
IGN OUTPUT: 2.0 A @ 120V.A.C.
CIRC. BLOWER OUTPUT: 14.5 FLA,
25 LRA @ 120 VAC
HUMIDIFIER & AIR CLEANER
MAX. LOAD: 1.0 A @ 120 VAC

TIMINGS
PREPURGE: 0 SEC.; INTERPURGE: 60 SEC.
POST PURGE: 5 SECONDS
IGNITOR WARMUP: 20 SECONDS
IAP: 3; TFI: 5 SECONDS
RETRIES: 2; RECYCLES: 10
HEAT ON DELAY: 45 SECONDS
COOL ON DELAY: 0 SECONDS
AUTO RESTART: 60 MINUTES
AUTO RESTART PURGE: 15 SECONDS

TCO THERMAL CUT OUT PS PRESSURE SWITCH FRS FLAME ROLL OUT SWITCH FP FLAME SENSOR CHASSIS GROUND HSI HOT SURFACE IGNITER DOOR SWITCH FUSE LC LINE CHOKER	CF CAPACITOR COIL	<p>— LINE } FACTORY WIRING — 24 V } - - - LINE } FIELD WIRING - - - 24 V }</p> <p>•• INTERNAL THERMAL PROTECTION</p> <p>WIRE COLOR</p> <table border="1"> <tr> <td>BK</td><td>BLACK</td> <td>GR</td><td>GREEN</td> </tr> <tr> <td>WH</td><td>WHITE</td> <td>BR</td><td>BROWN</td> </tr> <tr> <td>YL</td><td>YELLOW</td> <td>RD</td><td>RED</td> </tr> <tr> <td>OR</td><td>ORANGE</td> <td>BL</td><td>BLUE</td> </tr> </table> <p>BK/1 NUMBER ID (IF ANY)</p> <table border="1"> <tr> <td>L</td><td>LINE</td> <td>TH</td><td>24 VAC (HOT)</td> </tr> <tr> <td>N</td><td>NEUTRAL</td> <td>TR</td><td>24 VAC (COMMON)</td> </tr> <tr> <td>GND</td><td>GROUND</td> <td>MV</td><td>MAIN GAS VALVE</td> </tr> <tr> <td>B/C</td><td>COMMON</td> <td>TNS</td><td>TRANSFORMER</td> </tr> <tr> <td>HLO</td><td>HIGH LIMIT OUTPUT</td> <td>ILI</td><td>INDUCER LIMIT INPUT</td> </tr> <tr> <td>HLI</td><td>HIGH LIMIT INPUT</td> <td></td><td></td> </tr> </table>	BK	BLACK	GR	GREEN	WH	WHITE	BR	BROWN	YL	YELLOW	RD	RED	OR	ORANGE	BL	BLUE	L	LINE	TH	24 VAC (HOT)	N	NEUTRAL	TR	24 VAC (COMMON)	GND	GROUND	MV	MAIN GAS VALVE	B/C	COMMON	TNS	TRANSFORMER	HLO	HIGH LIMIT OUTPUT	ILI	INDUCER LIMIT INPUT	HLI	HIGH LIMIT INPUT		
BK	BLACK	GR	GREEN																																							
WH	WHITE	BR	BROWN																																							
YL	YELLOW	RD	RED																																							
OR	ORANGE	BL	BLUE																																							
L	LINE	TH	24 VAC (HOT)																																							
N	NEUTRAL	TR	24 VAC (COMMON)																																							
GND	GROUND	MV	MAIN GAS VALVE																																							
B/C	COMMON	TNS	TRANSFORMER																																							
HLO	HIGH LIMIT OUTPUT	ILI	INDUCER LIMIT INPUT																																							
HLI	HIGH LIMIT INPUT																																									

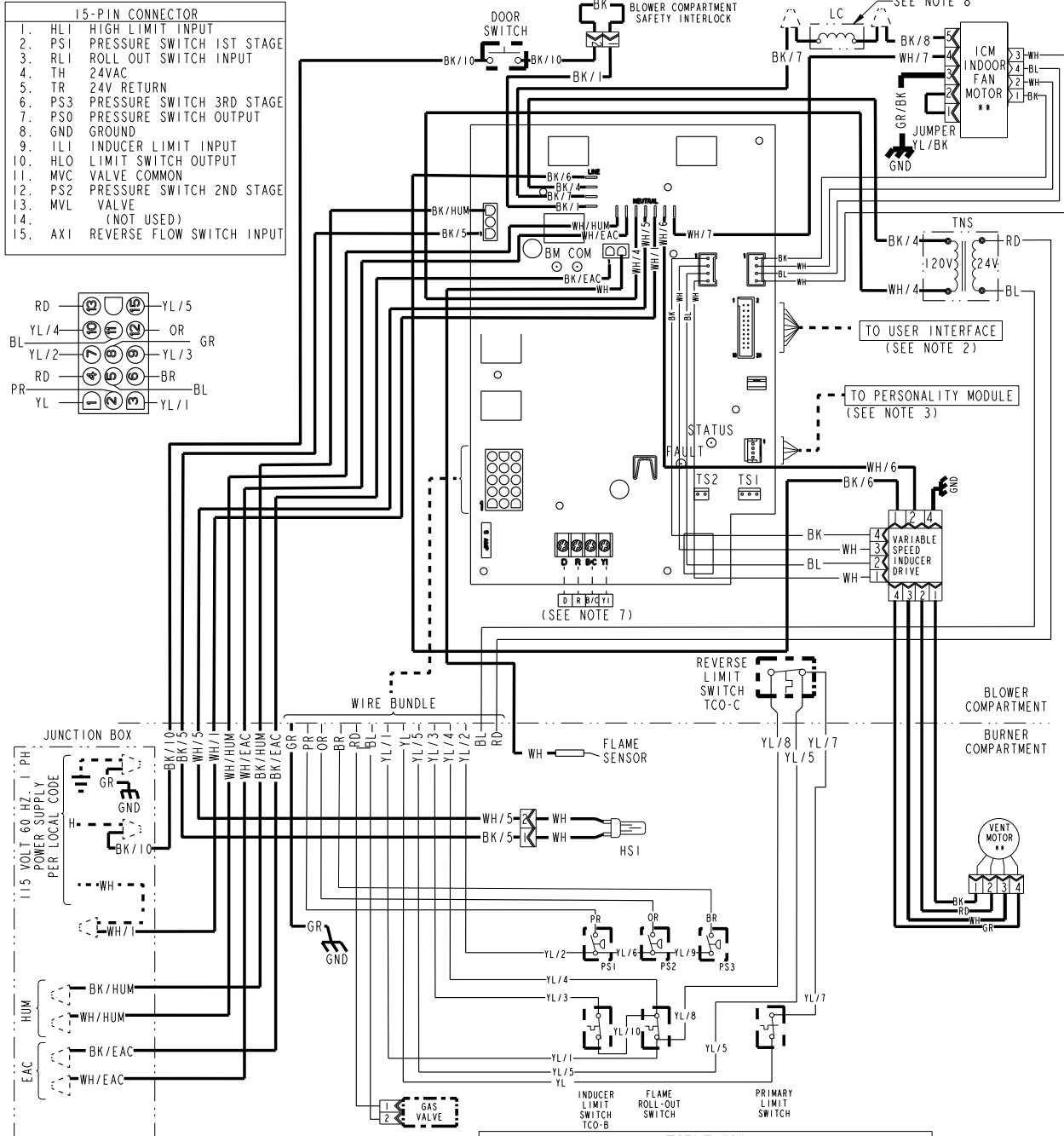
- NOTES:**
- IF ANY OF THE ORIGINAL WIRING AS SUPPLIED WITH THIS FURNACE MUST BE REPLACED, IT MUST BE WITH WIRE HAVING A TEMPERATURE RATING OF AT LEAST 105 C.
 - USER INTERFACE MUST BE INSTALLED FOR PROPER FURNACE INSTALLATION & SET-UP.
 - CORRECT PERSONALITY MODULE IS REQUIRED FOR PROPER FURNACE OPERATION. PERSONALITY MODULE IS SPECIFIC TO EACH MODEL & SERIAL NUMBER, AND IS TO REMAIN WITHIN IT'S ORIGINAL UNIT.
 - THESE LEADS PROVIDE 120V POWER CONNECTIONS FOR ELECTRONIC AIR CLEANER (EAC) AND HUMIDIFIER (HUM). MAX. LOAD: 1.0 AMPS EACH.
 - REVERSE FLOW SWITCH NOT PRESENT ON MODELS LISTED
 - IN TABLE "A" CONTROL INPUT IS JUMPED USING YL/5.
 - USED FOR *UH3C100ACV4V*, *UX3C100ACV4V* AND *UH3D120ACV5V*, *UX3D120ACV5V* MODELS ONLY.
 - ON POWER-UP, LAST FOUR FAULTS, IF ANY, WILL BE FLASHED ON RED LED. GREEN LED WILL BE SOLID ON DURING LAST FAULT RECOVERY.
 - YI IS OUTPUT TO NON-COMMUNICATING OUTDOOR UNIT.

CAUTION

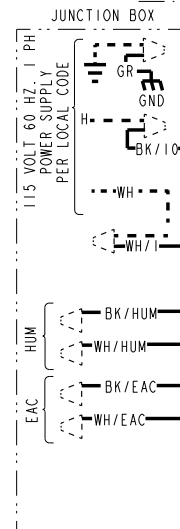
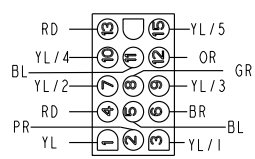
Label all wires prior to disconnection when servicing controls. Wiring errors can cause improper and dangerous operation. Verify proper operation after servicing.

Electrical Data

*DH3 Wiring Diagram



15-PIN CONNECTOR	
1.	H/L HIGH LIMIT INPUT
2.	P/S1 PRESSURE SWITCH 1ST STAGE
3.	R/L ROLL OUT SWITCH INPUT
4.	T/H 24VAC
5.	T/R 24V RETURN
6.	P/S3 PRESSURE SWITCH 3RD STAGE
7.	P/S0 PRESSURE SWITCH OUTPUT
8.	GND GROUND
9.	I/L1 INDUCER LIMIT INPUT
10.	L/O LIMIT SWITCH OUTPUT
11.	M/V VALVE COMMON
12.	P/S2 PRESSURE SWITCH 2ND STAGE
13.	M/V VALVE
14.	(NOT USED)
15.	A/X1 REVERSE FLOW SWITCH INPUT



IMPORTANT:
INTEGRATED CONTROL IS POLARITY SENSITIVE.
HOT LEG OF 120V POWER SUPPLY MUST BE CONNECTED
TO THE BLACK POWER LEAD AS INDICATED ON WIRING DIAGRAM.

TABLE "A"	
MODELS	
•DH3B060ACV3V**	•DH3B080ACV3V**
•DX3B060ACV3V**	•DX3B080ACV3V**
•DH3C100ACV4V**	•DH3D120ACV5V**
•DX3C100ACV4V**	•DX3D120ACV5V**

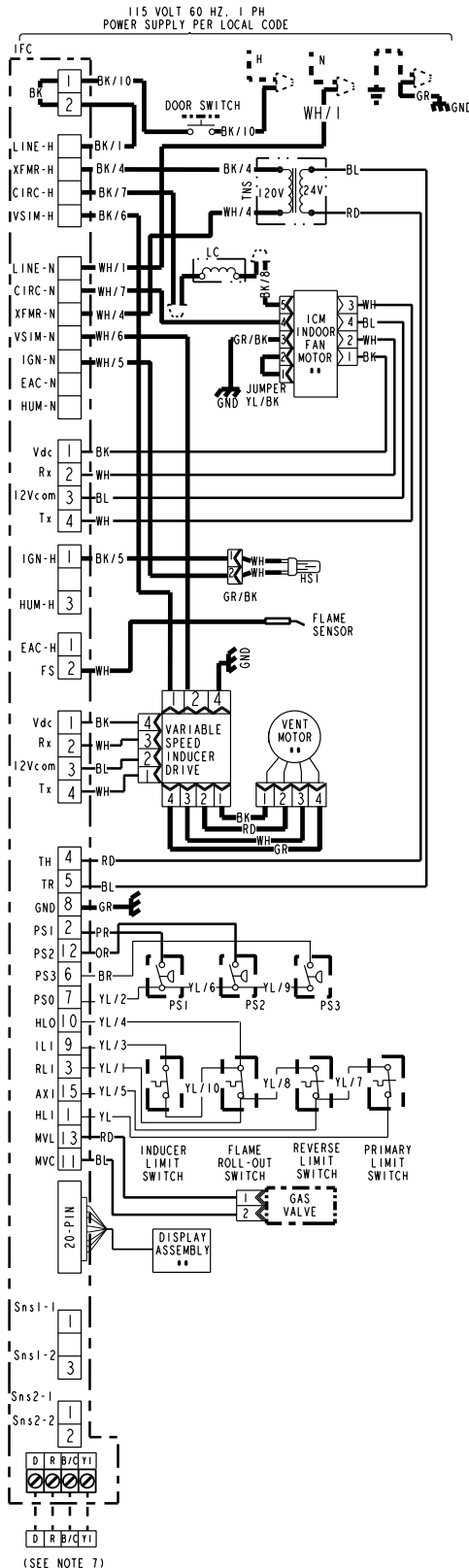
* PREFIX MAY BE "A" OR "T" / ** SUFFIX MAY BE AA THROUGH ZZ

⚠ CAUTION

Label all wires prior to disconnection when servicing controls. Wiring errors can cause improper and dangerous operation. Verify proper operation after servicing.

Electrical Data

*DH3 Schematic Diagram



DIAGNOSTIC CODES (SEE NOTE 9)	
RED LED - FAULT Data - 1 Flash every 20 seconds	
2 FLASHES - SYSTEM LOCKOUT RETRIES OR RECYCLES EXCEEDED	6 FLASHES - 115 VOLT AC POWER REVERSED OR IGNITER FAULT
3 FLASHES - PRESSURE SWITCH FAULT	7 FLASHES - GAS VALVE CIRCUIT ERROR
4 FLASHES - OPEN LIMIT SWITCH	8 FLASHES - LOW FLAME SENSE SIGNAL
5 FLASHES - FLAME SENSED WHEN NO FLAME SHOULD BE PRESENT	9 FLASHES - OPEN INDUCER LIMIT
	10 FLASHES - COMMUNICATION FAULT
	CONTINUOUS ON - INTERNAL CONTROL FAILURE
GREEN LED - STATUS	
SLOW FLASH - NORMAL, NO CALL FOR HEAT	
FAST FLASH - NORMAL, CALL FOR HEAT PRESENT	
GREEN AND RED LED'S ON CONTINUOUS - INTERNAL CONTROL FAILURE	
GREEN AND RED LED'S OFF CONTINUOUS - FUSE OPEN	

WARNING	CAUTION
HAZARDOUS VOLTAGE	USE COPPER CONDUCTORS ONLY!
DISCONNECT ALL ELECTRICAL POWER INCLUDING REMOTE DISCONNECTS BEFORE SERVICING.	UNIT TERMINALS ARE NOT DESIGNED TO ACCEPT OTHER TYPES OF CONDUCTORS.
FAILURE TO DISCONNECT POWER BEFORE SERVICING CAN CAUSE SEVERE PERSONAL INJURY OR DEATH.	FAILURE TO DO SO MAY CAUSE DAMAGE TO THE EQUIPMENT.

INTEGRATED FURNACE CONTROL

REPLACE WITH PART CNT 04829 OR EQUIVALENT
 ELECTRICAL RATING
 INPUT: 25 V.A.C., 60 HZ.
 XFMR SEC. CURRENT: 450 MA. + MV LOAD
 MV OUTPUT: 1.5 A @ 24 V.A.C.
 IND OUTPUT: 3 PHASE OUTPUT
 IGN OUTPUT: 2.0 A @ 120V.A.C.
 CIRC. BLOWER OUTPUT: 14.5 FLA,
 25 LRA @ 120 VAC
 HUMIDIFIER & AIR CLEANER
 MAX. LOAD: 1.0 A @ 120 VAC

TIMINGS
 PREPURGE: 0 SEC.; INTERPURGE: 60 SEC.
 POST PURGE: 5 SECONDS
 IGNITOR WARMUP: 20 SECONDS
 IAP: 3; TFI: 5 SECONDS
 RETRIES: 2; RECYCLES: 10
 HEAT ON DELAY: 45 SECONDS
 COOL ON DELAY: 0 SECONDS
 AUTO RESTART: 60 MINUTES
 AUTO RESTART PURGE: 15 SECONDS

TCO THERMAL CUT OUT	LINE } FACTORY WIRING	<table border="1"> <tr><td>BK</td><td>BLACK</td><td>GR</td><td>GREEN</td></tr> <tr><td>WH</td><td>WHITE</td><td>BR</td><td>BROWN</td></tr> <tr><td>YL</td><td>YELLOW</td><td>RD</td><td>RED</td></tr> <tr><td>OR</td><td>ORANGE</td><td>BL</td><td>BLUE</td></tr> </table>	BK	BLACK	GR	GREEN	WH	WHITE	BR	BROWN	YL	YELLOW	RD	RED	OR	ORANGE	BL	BLUE								
BK	BLACK		GR	GREEN																						
WH	WHITE	BR	BROWN																							
YL	YELLOW	RD	RED																							
OR	ORANGE	BL	BLUE																							
PS PRESSURE SWITCH	24 V } LINE } FIELD WIRING																									
FRS FLAME ROLL-OUT SWITCH	24 V } LINE } FIELD WIRING	<table border="0"> <tr><td>●●</td><td>INTERNAL THERMAL PROTECTION</td></tr> <tr><td>○</td><td>CF CAPACITOR</td></tr> <tr><td>⊖</td><td>COIL</td></tr> </table>	●●	INTERNAL THERMAL PROTECTION	○	CF CAPACITOR	⊖	COIL																		
●●	INTERNAL THERMAL PROTECTION																									
○	CF CAPACITOR																									
⊖	COIL																									
FP FLAME SENSOR		<table border="1"> <tr><td>L</td><td>LINE</td><td>TH</td><td>24 VAC (HOT)</td></tr> <tr><td>N</td><td>NEUTRAL</td><td>TR</td><td>24 VAC (COMMON)</td></tr> <tr><td>GND</td><td>GROUND</td><td>MV</td><td>MAIN GAS VALVE</td></tr> <tr><td>B/C</td><td>COMMON</td><td>TNS</td><td>TRANSFORMER</td></tr> <tr><td>HLO</td><td>HIGH LIMIT OUTPUT</td><td>ILI</td><td>INDUCER LIMIT INPUT</td></tr> <tr><td>HLI</td><td>HIGH LIMIT INPUT</td><td></td><td></td></tr> </table>	L	LINE	TH	24 VAC (HOT)	N	NEUTRAL	TR	24 VAC (COMMON)	GND	GROUND	MV	MAIN GAS VALVE	B/C	COMMON	TNS	TRANSFORMER	HLO	HIGH LIMIT OUTPUT	ILI	INDUCER LIMIT INPUT	HLI	HIGH LIMIT INPUT		
L	LINE	TH	24 VAC (HOT)																							
N	NEUTRAL	TR	24 VAC (COMMON)																							
GND	GROUND	MV	MAIN GAS VALVE																							
B/C	COMMON	TNS	TRANSFORMER																							
HLO	HIGH LIMIT OUTPUT	ILI	INDUCER LIMIT INPUT																							
HLI	HIGH LIMIT INPUT																									
CHASSIS GROUND																										
HSI HOT SURFACE IGNITER																										
DOOR SWITCH																										
FUSE																										
LC LINE CHOKE																										

WIRE COLOR: BK/1 NUMBER ID (IF ANY)

NOTES:

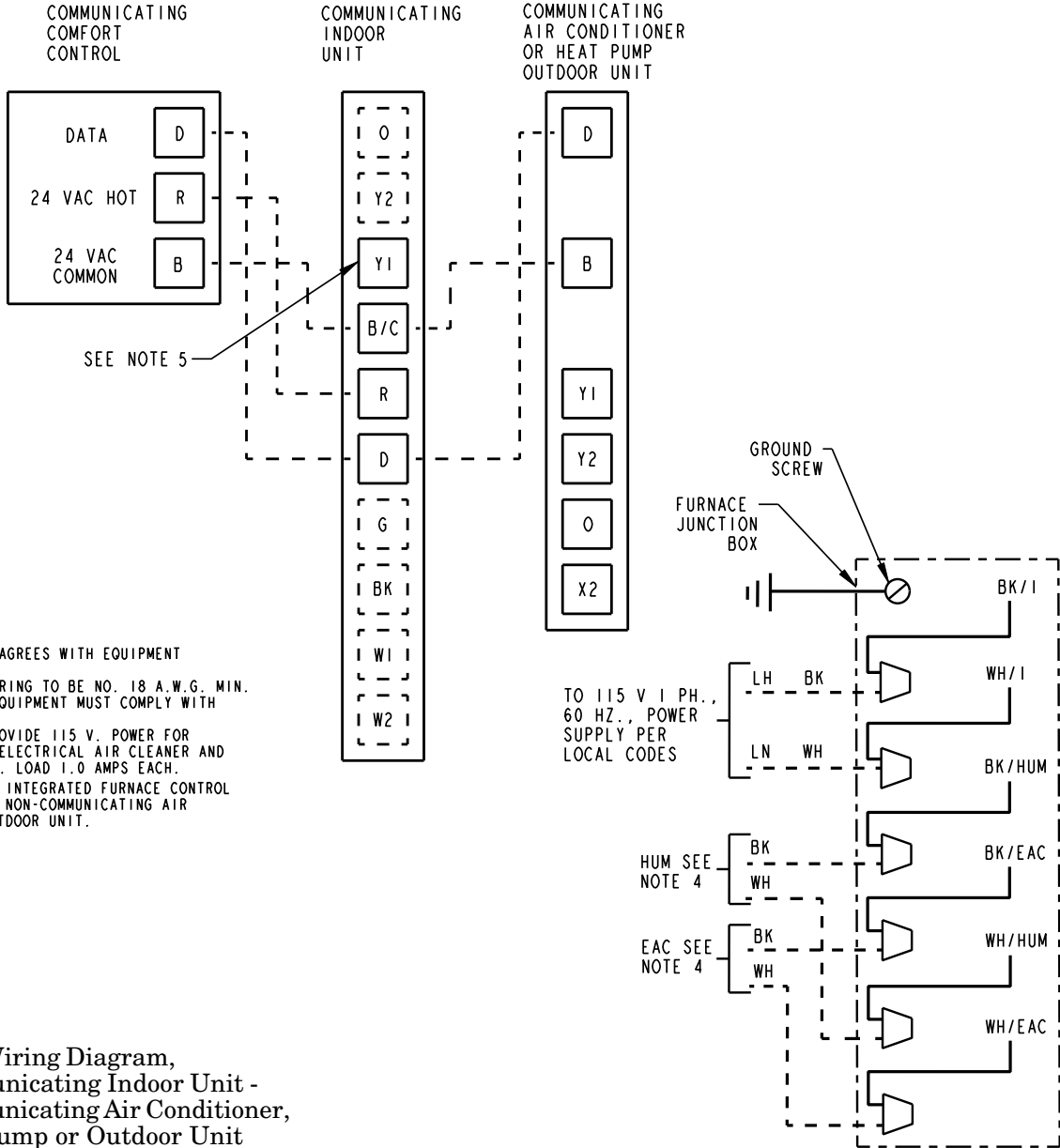
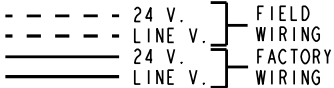
- IF ANY OF THE ORIGINAL WIRING AS SUPPLIED WITH THIS FURNACE MUST BE REPLACED, IT MUST BE WITH WIRE HAVING A TEMPERATURE RATING OF AT LEAST 105 C.
- USER INTERFACE MUST BE INSTALLED FOR PROPER FURNACE INSTALLATION & SET-UP.
- CORRECT PERSONALITY MODULE IS REQUIRED FOR PROPER FURNACE OPERATION. PERSONALITY MODULE IS SPECIFIC TO EACH MODEL & SERIAL NUMBER, AND IS TO REMAIN WITHIN IT'S ORIGINAL UNIT.
- THESE LEADS PROVIDE 120V POWER CONNECTIONS FOR ELECTRONIC AIR CLEANER (EAC) AND HUMIDIFIER (HUM). MAX. LOAD: 1.0 AMPS EACH.
- USED FOR *DH3C100ACV4V*, *DX3C100ACV4V* AND *DH3D120ACV5V*, *DX3D120ACV5V* MODELS ONLY.
- ON POWER-UP, LAST FOUR FAULTS, IF ANY, WILL BE FLASHED ON RED LED. GREEN LED WILL BE SOLID ON DURING LAST FAULT RECOVERY.
- Y1 IS OUTPUT TO NON-COMMUNICATING OUTDOOR UNIT.

CAUTION

Label all wires prior to disconnection when servicing controls. Wiring errors can cause improper and dangerous operation. Verify proper operation after servicing.

FIELD WIRING DIAGRAM FOR COMMUNICATING FURNACE AND COMMUNICATING AIR CONDITIONER OR HEAT PUMP OUTDOOR UNIT USING A COMMUNICATING COMFORT CONTROL

INTER-COMPONENT WIRING



- NOTES:
1. BE SURE POWER AGREES WITH EQUIPMENT NAMEPLATE(S).
 2. LOW VOLTAGE WIRING TO BE NO. 18 A.W.G. MIN.
 3. GROUNDING OF EQUIPMENT MUST COMPLY WITH LOCAL CODES.
 4. THESE LEADS PROVIDE 115 V. POWER FOR CONNECTION OF ELECTRICAL AIR CLEANER AND HUMIDIFIER MAX. LOAD 1.0 AMPS EACH.
 5. Y1 TERMINAL ON INTEGRATED FURNACE CONTROL ONLY USED WITH NON-COMMUNICATING AIR CONDITIONER OUTDOOR UNIT.

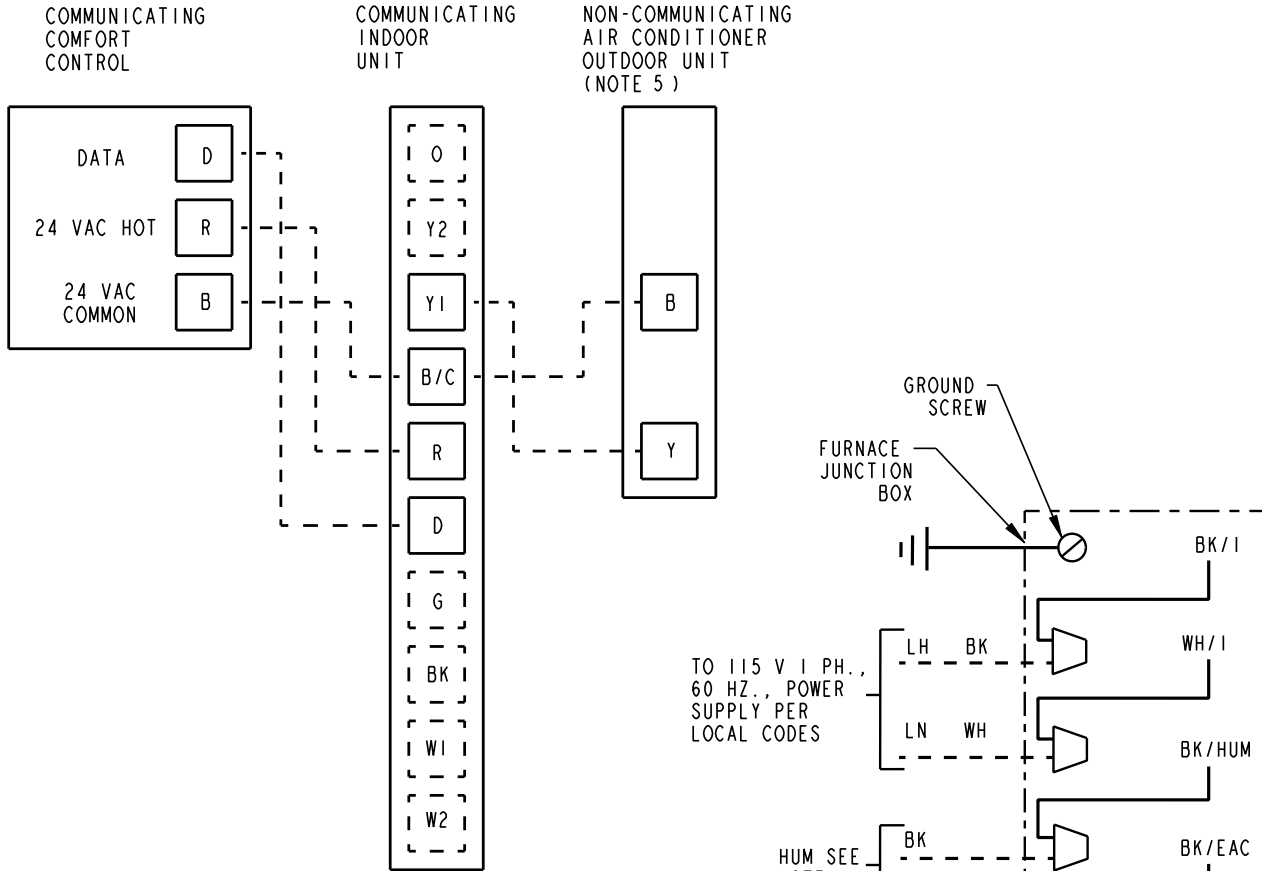
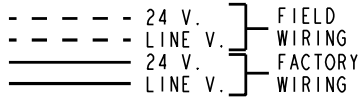
Field Wiring Diagram,
 Communicating Indoor Unit -
 Communicating Air Conditioner,
 Heat Pump or Outdoor Unit

NOTE:
 The maximum total cable length for the entire Comfort Control communicating system is 500 ft. 18 AWG. The maximum distance of any single cable from a transformer is 250 ft. 18 AWG.

NOTE:
 When connecting a *FD whole house air cleaner with this furnace, order Kit BAYACCCECOMM100.

FIELD WIRING DIAGRAM FOR COMMUNICATING FURNACE AND NON-COMMUNICATING 24V SINGLE STAGE AIR CONDITIONER USING A COMMUNICATING COMFORT CONTROL

INTER-COMPONENT WIRING



- NOTES:
1. BE SURE POWER AGREES WITH EQUIPMENT NAMEPLATES(S).
 2. LOW VOLTAGE (24V. WIRING) TO BE NO. 18 A.W.G. MIN.
 3. GROUNDING OF EQUIPMENT MUST COMPLY WITH LOCAL CODES.
 4. THESE LEADS PROVIDE 115 V. POWER FOR CONNECTION OF ELECTRICAL AIR CLEANER AND HUMIDIFIER MAX. LOAD 1.0 AMPS EACH.
 5. NON-COMMUNICATING HEAT PUMP MUST NOT BE APPLIED WITH A COMMUNICATING FURNACE.

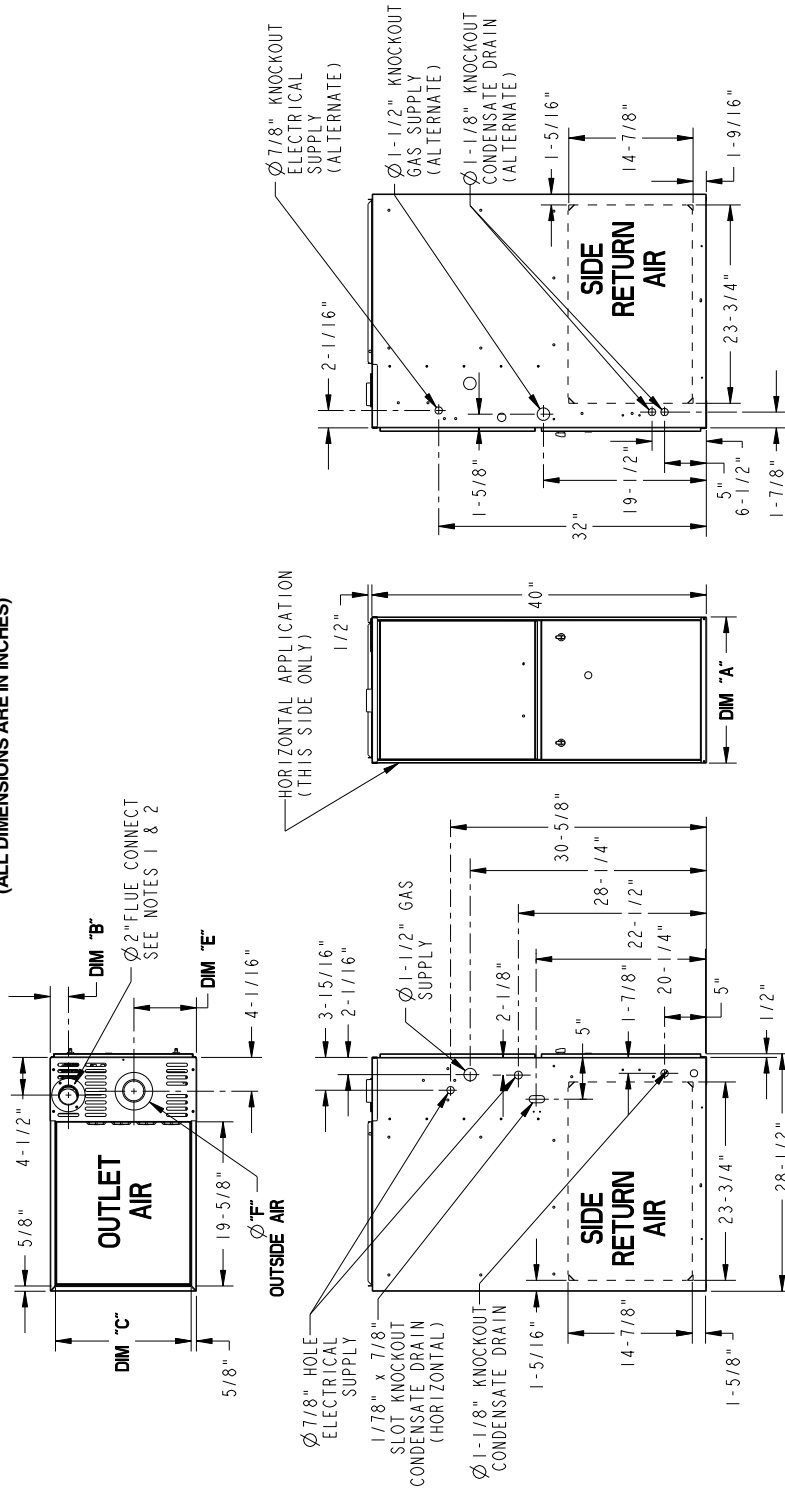
Field Wiring Diagram,
Communicating Indoor Unit -
Non-communicating 24V
Single Stage Outdoor Unit

NOTE:
The maximum total cable length for the entire Comfort Control communicating system is 500 ft. 18 AWG. The maximum distance of any single cable from a transformer is 250 ft. 18 AWG.

NOTE:
When connecting a *FD whole house air cleaner with this furnace, order Kit BAYACCECOMM100.

AUH3-AC-V Outline Drawing

(ALL DIMENSIONS ARE IN INCHES)

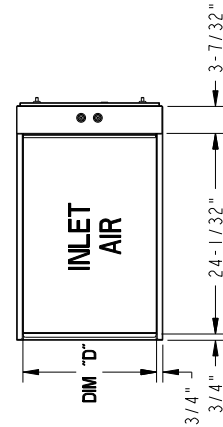


MINIMUM CLEARANCE TO COMBUSTIBLE MATERIALS	
UPFLOW	
SIDES	0 IN.
REAR	0 IN.
FRONT	3 IN.
TOP	1 IN.
FLUE	0 IN.
HORIZONTAL FLUE DISCHARGE ON THE LEFT	
ALCOHOL	
SIDES	0 IN.
LEFT	0 IN.
REAR	6 IN.
FRONT	18 IN.
TOP	1 IN.
FLUE	0 IN.
CLOSET	
SIDES	1 IN.
RIGHT	1 IN.
LEFT	1 IN.
REAR	3 IN.
FRONT	3 IN.
TOP	1 IN.
FLUE	0 IN.

MODEL (SEE NOTE 1)	DIM "A"	DIM "B"	DIM "C"	DIM "D"	DIM "E"	DIM "F"
*UH3B060ACV3VA	17-1/2"	2-1/4"	16-1/4"	16"	7-1/2"	2"
*UH3B080ACV3VA	21"	2-1/2"	19-3/4"	19-1/2"	9"	3"
*UH3C100ACV4VA	24-1/2"	2-15/16"	23-1/4"	23"	10"	3"

NOTES:

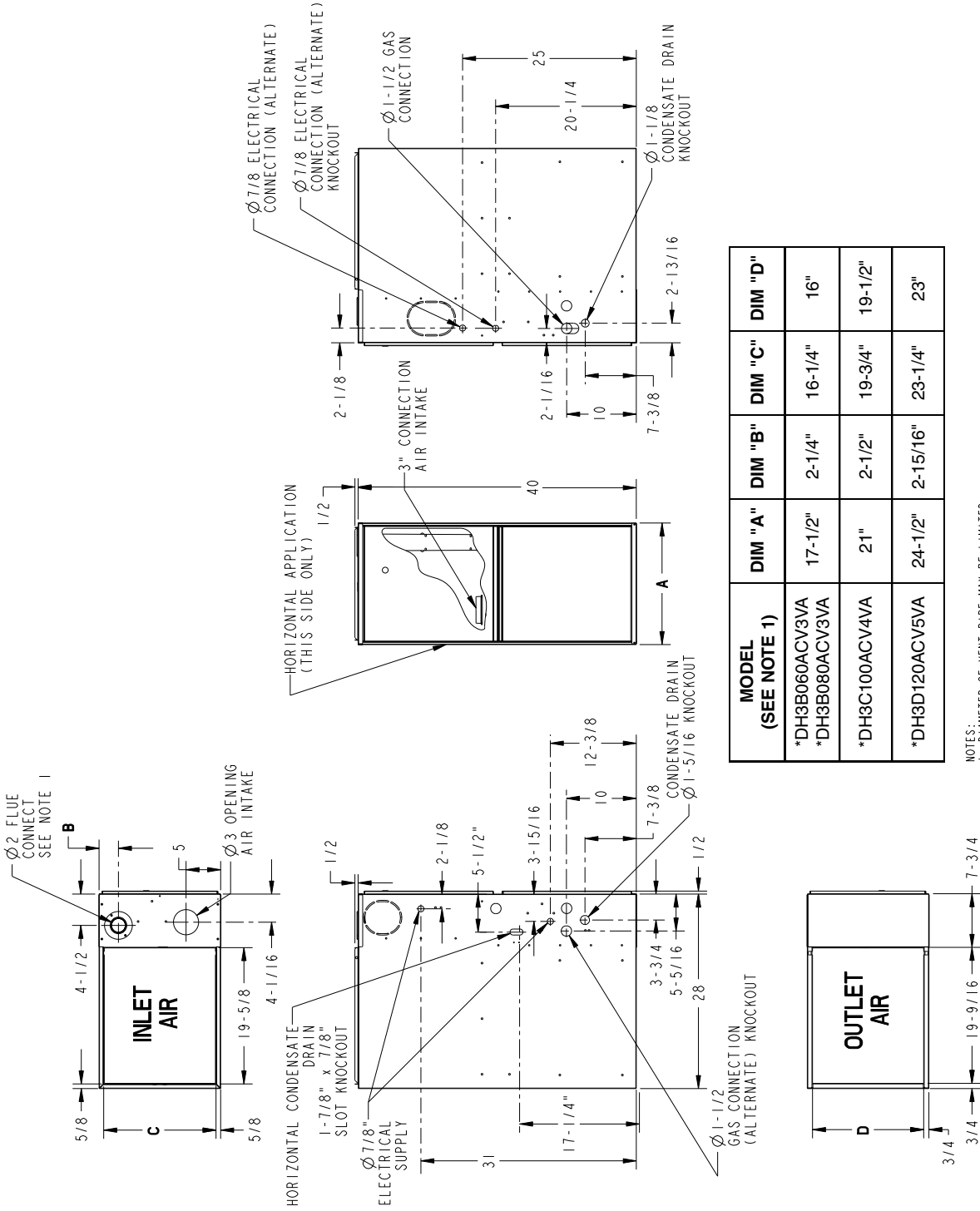
- DIAMETER OF VENT PIPE MAY BE LIMITED TO 2-1/2" OR 3" ON SOME MODELS AT DIFFERENT ALTITUDES. REFER TO THE VENT LENGTH TABLE FOR PROPER APPLICATION.



* PREFIX MAY BE "A" OR "T"

ADH3-AC-V DOWNFLOW/ HORIZONTAL OUTLINE DRAWING

(ALL DIMENSIONS ARE IN INCHES)



MODEL (SEE NOTE 1)	DIM "A"	DIM "B"	DIM "C"	DIM "D"
*DH3B060ACV3VA *DH3B080ACV3VA	17-1/2"	2-1/4"	16-1/4"	16"
*DH3C100ACV4VA	21"	2-1/2"	19-3/4"	19-1/2"
*DH3D120ACV5VA	24-1/2"	2-15/16"	23-1/4"	23"

NOTES:
1. DIAMETER OF VENT PIPE MAY BE LIMITED TO 2-1/2" OR 3" ON SOME MODELS AT DIFFERENT ALTITUDES. REFER TO THE VENT LENGTH TABLE FOR PROPER APPLICATION.

* PREFIX MAY BE "A" OR "T"

MINIMUM CLEARANCE TO COMBUSTIBLE MATERIALS DOWNFLOW	
SIDES	0 IN.
REAR	0 IN.
FRONT	3 IN.
TOP	1 IN.
FLUE	0 IN.

HORIZONTAL FLUE DISCHARGE ON THE LEFT	
ALCOVE	
SIDES	0 IN.
LEFT	0 IN.
RIGHT	0 IN.
REAR	6 IN.
FRONT	18 IN.
TOP	1 IN.
FLUE	0 IN.

CLOSED	
SIDES	1 IN.
RIGHT	1 IN.
LEFT	3 IN.
REAR	3 IN.
FRONT	3 IN.
TOP	1 IN.
FLUE	0 IN.

Notes



A series of horizontal lines for writing notes, starting below the thick black line and extending to the bottom of the page.



American Standard
HEATING & AIR CONDITIONING

American Standard
Heating & Air Conditioning
6200 Troup Highway
Tyler, TX 75707

Since **American Standard Heating & Air Conditioning** has a policy of continuous product and product data improvement, it reserves the right to change design and specifications without notice.