

*American Standard*

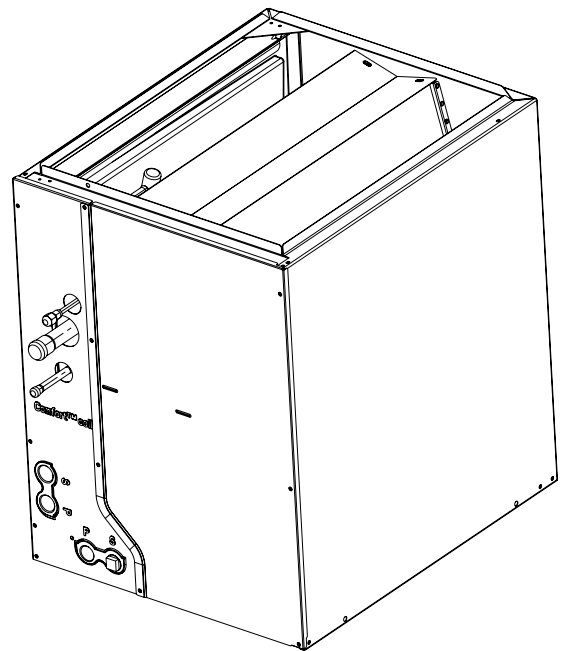
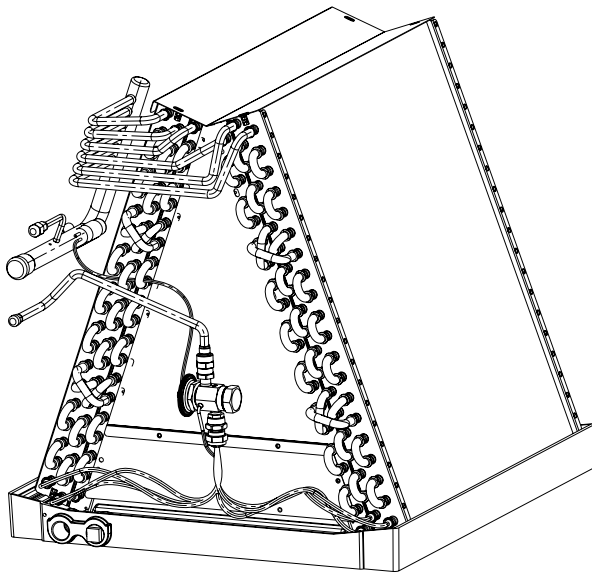
HEATING & AIR CONDITIONING

# Aluminum Cased and Uncased Heat Pump / Cooling Coils 1 1/2 - 5 Ton

---

## 2/4TXA, 2/4TXC

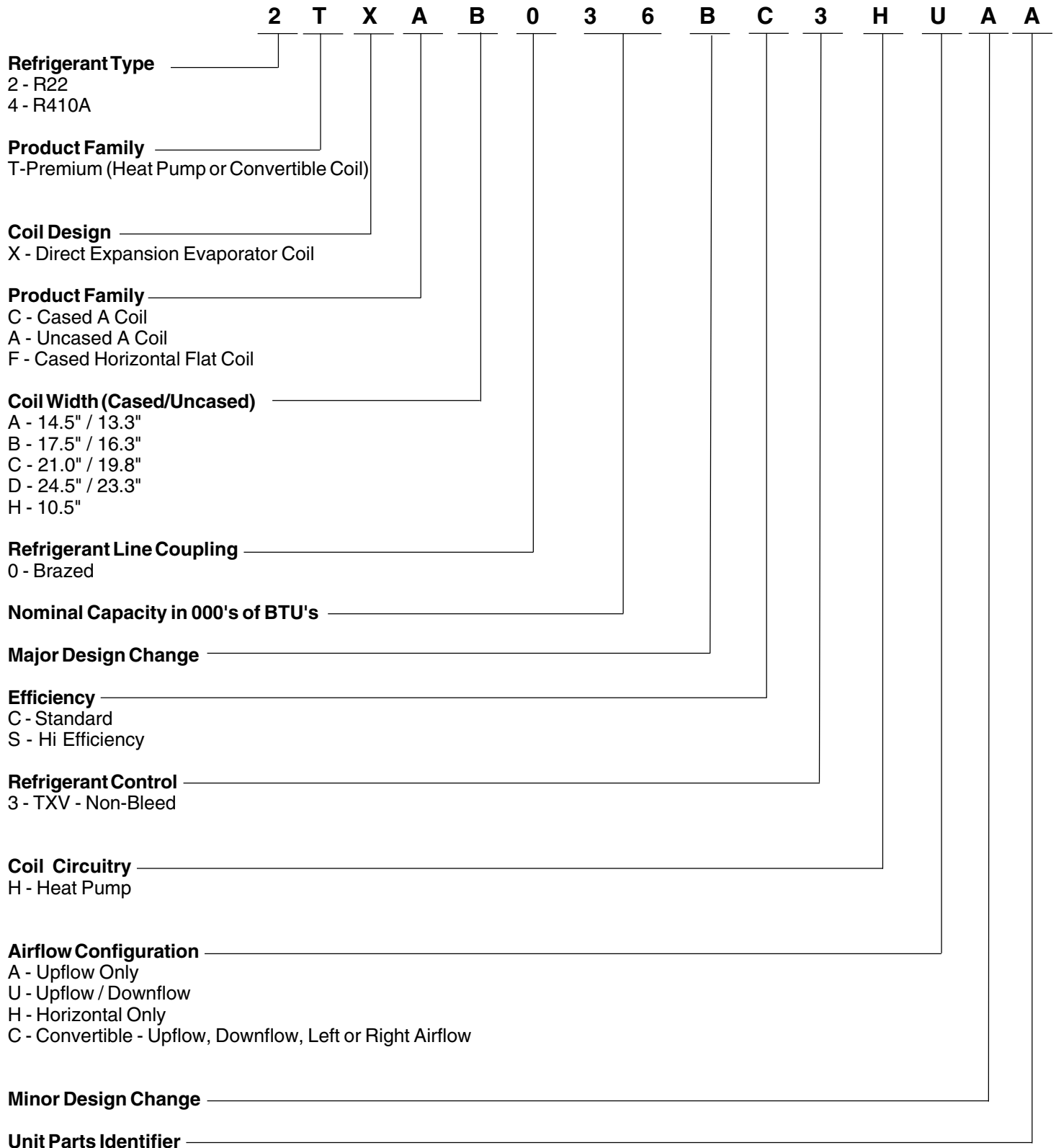
Heat Pump /Cooling Coils for R-22 and R-410A



---

PUB. NO. 12-1271-02

# Aluminum Heat Pump Coil Nomenclature



## General Data

### Optional Accessories

13 SEER Coil Enclosures				
Model Number	Coil Cooling or Heat Pump		Used With Furnaces Flush on Both Sides	Dimensions (in.) H x W x D
BAYCLE14A1422A	2/4TXAA018BC3HUA 2/4TXAA024BC3HUA	TXA018C4 TXA024C4 TXA030C4	14-1/2" Wide Furnaces	22-1/2 x 14-1/2 x 21-1/2
BAYCLE17A1722A	2/4TXAB025BC3HUA 2/4TXAB031BC3HUA 4TXAB032BC3HUA 2/4TXAB036BC3HUA 2/4TXAB042BC3HUA 2/4TXAB048BC3HUA	TXA025C4 TXA031C4 TXA035C4 TXA036C4 TXA042C4 TXA048C4	17-1/2" Wide Furnaces	22-5/8 x 17-1/2 x 21-1/2
BAYCLE21A2130A	2/4TXAC037BC3HUA 2/4TXAC043BC3HUA 4TXAC044BC3HUA 2/4TXAC049BC3HUA 2/4TXAC060BC3HUA	TXA037C4 TXA043C4 TXA049C4 TXA060C5 RXA060S3	21" Wide Furnaces	30 x 21 x 21-1/2
BAYCLE24A2430A	2/4TXAD050BC3HUA 2/4TXAD061BC3HUA 2/4TXAD064BC3HUA	TXA061C5 RXA061S3	24-1/2" Wide Furnaces	30 x 24-1/2 x 21-1/2

## General Data

<b>NON-BLEED TXV KITS</b>		
<b>Coils</b>	<b>R410A</b>	<b>R22</b>
2/4TXC, TXA - 018	4AYTXVH3D1831A	2AYTXVH3C1818A
2/4TXC, TXA - 024	4AYTXVH3D1831A	2AYTXVH3C2425A
2/4TXC, TXA - 025	4AYTXVH3D1831A	2AYTXVH3C2425A
2/4TXC, TXA - 030	4AYTXVH3D1831A	2AYTXVH3C3031A
2/4TXC, TXA - 031	4AYTXVH3D1831A	2AYTXVH3C3031A
4TXC, TXA - 032	4AYTXVH3D3343A	2AYTXVH3C3337A
2/4TXC, TXA - 036	4AYTXVH3D3343A	2AYTXVH3C3337A
2/4TXC, TXA - 037	4AYTXVH3D3343A	2AYTXVH3C3337A
2/4TXC, TXA - 042	4AYTXVH3D3343A	2AYTXVH3C4243A
2/4TXC, TXA - 043	4AYTXVH3D3343A	2AYTXVH3C4243A
4TXC, TXA - 044	4AYTXVH3D4863A	2AYTXVH3C4850A
2/4TXC, TXA - 048	4AYTXVH3D4863A	2AYTXVH3C4850A
2/4TXC, TXA - 049	4AYTXVH3D4863A	2AYTXVH3C4850A
2/4TXC, TXA - 050	4AYTXVH3D4863A	2AYTXVH3C4850A
2/4TXC, TXA - 060	4AYTXVH3D4863A	2AYTXVH3C5463A
2/4TXC, TXA - 061	4AYTXVH3D4863A	2AYTXVH3C5463A
2/4TXC, TXA - 064	4AYTXVH3D4863A	2AYTXVH3C5463A

# General Data

## PRODUCT SPECIFICATIONS<sup>[1]</sup> 2/4 TXA-BC UNCASED UPFLOW / DOWNFLOW

	2/4TXAA018BC3HUA		2/4TXAA024BC3HUA		2/4TXAB025BC3HUA		2/4TXAB031BC3HUA		4TXAB032BC3HUA			
<b>INDOOR COIL--Type</b>	PLATE FIN		PLATE FIN		PLATE FIN		PLATE FIN		PLATE FIN			
Rows / F.P.I.	2 / 18		2 / 18		3 / 14		3 / 14		3 / 14			
Face Area (sq.ft.)	4.00		4.00		3.50		3.50		5.00			
Tube Size (in.)	3/8		3/8		3/8		3/8		3/8			
Refrigerant Control (No internal check valve)	Non-Bleed TXV		Non-Bleed TXV		Non-Bleed TXV		Non-Bleed TXV		Non-Bleed TXV			
Drain Conn. Size (in.)	3/4 NPT		3/4 NPT		3/4 NPT		3/4 NPT		3/4 NPT			
Duct Connections					-See Outline Drawings-							
<b>REFRIGERANT CONNECTIONS</b>	R-22	R-410A	R-22	R-410A	R-22	R-410A	R-22	R-410A	R-22	R-410A		
	BRAZED	BRAZED	BRAZED	BRAZED	BRAZED	BRAZED	BRAZED	BRAZED	BRAZED	BRAZED		
Line Size (Gas) (in.)	3/4	5/8*	3/4	5/8*	3/4	5/8*	3/4	3/4	7/8	3/4*		
Line Size (Liquid) (in.)	5/16	5/16	5/16	5/16	5/16	5/16	3/8	3/8	3/8	3/8		
<b>DIMENSIONS (in.)</b>	<b>H x W x D</b>		<b>H x W x D</b>		<b>H x W x D</b>		<b>H x W x D</b>		<b>H x W x D</b>			
Crated (H x W x D)	18-1/2x17-1/2x26-1/2		18-1/2x17-1/2x26-1/2		16-1/2x20-1/2x 26-1/2		16-1/2x20-1/2 x26-1/2		22-3/4x20-1/2x26-1/2			
Uncrated (H x W x D)					-See Outline Drawings-							
<b>WEIGHT (lbs.)</b>	21 / 19		21 / 19		24 / 22		24 / 22		32 / 29			
Shipping -- Net												
	2/4TXAB036BC3HUA		2/4TXAC037BC3HUA		2/4TXAB042BC3HUA		2/4TXAC043BC3HUA		4TXAC044BC3HUA			
<b>INDOOR COIL -- Type</b>	PLATE FIN		PLATE FIN		PLATE FIN		PLATE FIN		PLATE FIN			
Rows / F.P.I.	3 / 14		3 / 14		3 / 14		3 / 14		3 / 14			
Face Area (sq.ft.)	5.00		5.00		5.00		5.00		6.00			
Tube Size	3/8		3/8		3/8		3/8		3/8			
Refrigerant Control (No internal check valve)	Non-Bleed TXV		Non-Bleed TXV		Non-Bleed TXV		Non-Bleed TXV		Non-Bleed TXV			
Drain Conn. Size (in.)	3/4 NPT		3/4 NPT		3/4 NPT		3/4 NPT		3/4 NPT			
Duct Connections			-See Outline Drawings-									
<b>REFRIGERANT CONNECTIONS</b>	R-22	R-410A	R-22	R-410A	R-22	R-410A	R-22	R-410A	R-22	R-410A		
	BRAZED	BRAZED	BRAZED	BRAZED	BRAZED	BRAZED	BRAZED	BRAZED	BRAZED	BRAZED		
Line Size -- Gas (in.)	7/8	3/4*	7/8	3/4*	7/8	3/4*	7/8	3/4*	1-1/8	7/8*		
Line Size -- Liquid (in.)	3/8	3/8	3/8	3/8	3/8	3/8	3/8	3/8	3/8	3/8		
<b>DIMENSIONS (in.)</b>	<b>H x W x D</b>		<b>H x W x D</b>		<b>H x W x D</b>		<b>H x W x D</b>		<b>H x W x D</b>			
Crated (H x W x D)	22-3/4x20-1/2x26-1/2				22-3/4x 24 x 26-1/2		22-3/4x 24 x 26-1/2		28-1/4x24x26-1/2			
Uncrated			-See Outline Drawings-									
<b>WEIGHT (lbs)</b>	32 / 29		33 / 30		32 / 29		33 / 30		38 / 34			
Shipping -- Net												
	2/4TXAB048BC3HUA		2/4TXAC049BC3HUA		2/4TXAC060BC3HUA		2/4TXAD050BC3HUA		2/4TXAD061BC3HUA		2/4TXAD064BC3HUA	
<b>INDOOR COIL -- Type</b>	PLATE FIN		PLATE FIN		PLATE FIN		PLATE FIN		PLATE FIN		PLATE FIN	
Rows / F.P.I.	3 / 14		3 / 14		3 / 14		3 / 14		3 / 14		3 / 18	
Face Area (sq.ft.)	6.00		6.00		7.00		6.00		7.00		7.00	
Tube Size	3/8		3/8		3/8		3/8		3/8		3/8	
Refrigerant Control (No internal check valve)	Non-Bleed TXV		Non-Bleed TXV		Non-Bleed TXV		Non-Bleed TXV		Non-Bleed TXV		Non-Bleed TXV	
Drain Conn. Size (in.)	3/4 NPT		3/4 NPT		3/4 NPT		3/4 NPT		3/4 NPT		3/4 NPT	
Duct Connections									-See Outline Drawings-			
<b>REFRIGERANT CONNECTIONS</b>	R-22	R-410A	R-22	R-410A	R-22	R-410A	R-22	R-410A	R-22	R-410A	R-22	R-410A
	BRAZED	BRAZED	BRAZED	BRAZED	BRAZED	BRAZED	BRAZED	BRAZED	BRAZED	BRAZED	BRAZED	BRAZED
Line Size -- Gas (in.)	1-1/8	7/8*	1-1/8	7/8*	7/8	7/8*	7/8	7/8*	7/8	7/8*	7/8	7/8*
Line Size -- Liquid (in.)	3/8	3/8	3/8	3/8	3/8	3/8	3/8	3/8	3/8	3/8	3/8	3/8
<b>DIMENSIONS (in.)</b>	<b>H x W x D</b>		<b>H x W x D</b>		<b>H x W x D</b>		<b>H x W x D</b>		<b>H x W x D</b>		<b>H x W x D</b>	
Crated (H x W x D)	28-1/4x20-1/2x26-1/2		28-1/4x24x26-1/2		31-1/2x27-1/2x26-1/2		28-1/4x27-1/2x26-1/2		31-1/2x27-1/2x26-1/2		31-1/2x27-1/2x26-1/2	
Uncrated									-See Outline Drawings-			
<b>WEIGHT (lbs)</b>	36 / 33		38 / 34		44 / 40		39 / 35		45 / 41		45 / 41	
Shipping -- Net												

\* Reducer supplied with R-410A models

[1] These indoor coils are A.R.I. certified with various split system air conditioners and heat pumps (A.R.I. Standard 210/240). Refer to the split system product data guides for performance data.

## General Data

### PRODUCT SPECIFICATIONS<sup>[1]</sup> – 2/4 TXC-BC - SPLIT SYSTEM HEAT PUMP / COOLING COMFORT™ COILS CASED UPFLOW / DOWNFLOW / HORIZONTAL

	2/4TXCA018BC3HCA		2/4TXCA024BC3HCA		2/4TXCB025BC3HCA		2/4TXCB031BC3HCA		4TXCB032BC3HCA			
<b>INDOOR COIL -- Type</b>	PLATE FIN		PLATE FIN		PLATE FIN		PLATE FIN		PLATE FIN			
Rows / F.P.I.	2 / 18		2 / 18		3 / 14		3 / 14		3 / 14			
Face Area (sq.ft.)	3.50		4.00		3.50		3.50		5.00			
Tube Size	3/8		3/8		3/8		3/8		3/8			
Refrigerant Control (No internal check valve)	Non-Bleed TXV		Non-Bleed TXV		Non-Bleed TXV		Non-Bleed TXV		Non-Bleed TXV			
Drain Conn. Size (in.)	3/4 NPT		3/4 NPT		3/4 NPT		3/4 NPT		3/4 NPT			
Duct Connections	-See Outline Drawings-											
<b>REFRIGERANT CONNECTIONS</b>	R-22	R-410A	R-22	R-410A	R-22	R-410A	R-22	R-410A	R-22	R-410A		
	BRAZED	BRAZED	BRAZED	BRAZED	BRAZED	BRAZED	BRAZED	BRAZED	BRAZED	BRAZED		
Line Size -- Gas (in.)	5/8	1/2*	3/4	5/8*	3/4	5/8*	3/4	3/4	7/8	3/4*		
Line Size -- Liquid (in.)	1/4	1/4	5/16	5/16	5/16	5/16	5/16	5/16	3/8	3/8		
<b>DIMENSIONS (in.)</b>	<b>H X W X D</b>		<b>H X W X D</b>		<b>H X W X D</b>		<b>H X W X D</b>		<b>H X W X D</b>			
Crated (H x W x D)	15-1/2x17-1/2x26-1/2		18-1/2x17-1/2x26-1/2		16-1/2x20-1/2x26-1/2		16-1/2x20-1/2x26-1/2		22-3/4x20-1/2x26-1/2			
Uncrated	-See Outline Drawings-											
<b>WEIGHT (lbs)</b>	36 / 34		36 / 34		40 / 38		40 / 38		48 / 45			
Shipping -- Net	36 / 34		36 / 34		40 / 38		40 / 38		48 / 45			
	2/4TXCB036BC3HCA		2/4TXCC037BC3HCA		2/4TXCB042BC3HCA		2/4TXCC043BC3HCA		4TXCC044BC3HCA			
<b>INDOOR COIL -- Type</b>	PLATE FIN		PLATE FIN		PLATE FIN		PLATE FIN		PLATE FIN			
Rows / F.P.I.	3 / 14		3 / 14		3 / 14		3 / 14		3 / 14			
Face Area (sq.ft.)	5.00		5.00		5.00		5.00		6.00			
Tube Size	3/8		3/8		3/8		3/8		3/8			
Refrigerant Control (No internal check valve)	Non-Bleed TXV		Non-Bleed TXV		Non-Bleed TXV		Non-Bleed TXV		Non-Bleed TXV			
Drain Conn. Size (in.)	3/4 NPT		3/4 NPT		3/4 NPT		3/4 NPT		3/4 NPT			
Duct Connections	-See Outline Drawings-											
<b>REFRIGERANT CONNECTIONS</b>	R-22	R-410A	R-22	R-410A	R-22	R-410A	R-22	R-410A	R-22	R-410A		
	BRAZED	BRAZED	BRAZED	BRAZED	BRAZED	BRAZED	BRAZED	BRAZED	BRAZED	BRAZED		
Line Size -- Gas (in.)	7/8	3/4*	7/8	3/4*	7/8	3/4*	7/8	3/4*	1-1/8	7/8*		
Line Size -- Liquid (in.)	3/8	3/8	3/8	3/8	3/8	3/8	3/8	3/8	3/8	3/8		
<b>DIMENSIONS (in.)</b>	<b>H X W X D</b>		<b>H X W X D</b>		<b>H X W X D</b>		<b>H X W X D</b>		<b>H X W X D</b>			
Crated (H x W x D)	22-3/4x20-1/2x26-1/2		22-3/4x24x26-1/2		22-3/4x20-1/2x26-1/2		22-3/4x24x26-1/2		28-1/4x24x26-1/2			
Uncrated	-See Outline Drawings-											
<b>WEIGHT (lbs)</b>	48 / 45		51 / 48		48 / 45		51 / 48		55 / 51			
Shipping -- Net	48 / 45		51 / 48		48 / 45		51 / 48		55 / 51			
	2/4TXCB048BC3HCA		2/4TXCC049BC3HCA		2/4TXCD050BC3HCA		2/4TXCC060BC3HCA		2/4TXCD061BC3HCA		2/4TXCD064BC3HCA	
<b>INDOOR COIL -- Type</b>	PLATE FIN		PLATE FIN		PLATE FIN		PLATE FIN		PLATE FIN		PLATE FIN	
Rows / F.P.I.	3 / 14		3 / 14		3 / 14		3 / 14		3 / 14		3 / 18	
Face Area (sq.ft.)	6.00		6.00		6.00		7.00		7.00		7.00	
Tube Size	3/8		3/8		3/8		3/8		3/8		3/8	
Refrigerant Control (No internal check valve)	Non-Bleed TXV		Non-Bleed TXV		Non-Bleed TXV		Non-Bleed TXV		Non-Bleed TXV		Non-Bleed TXV	
Drain Conn. Size (in.)	3/4 NPT		3/4 NPT		3/4 NPT		3/4 NPT		3/4 NPT		3/4 NPT	
Duct Connections	-See Outline Drawings-											
<b>REFRIGERANT CONNECTIONS</b>	R-22	R-410A	R-22	R-410A	R-22	R-410A	R-22	R-410A	R-22	R-410A	R-22	R-410A
	BRAZED	BRAZED	BRAZED	BRAZED	BRAZED	BRAZED	BRAZED	BRAZED	BRAZED	BRAZED	BRAZED	BRAZED
Line Size -- Gas (in.)	1-1/8	7/8*	1-1/8	7/8*	1-1/8	7/8*	1-1/8	7/8*	1-1/8	7/8*	1-1/8	7/8*
Line Size -- Liquid (in.)	3/8	3/8	3/8	3/8	3/8	3/8	3/8	3/8	3/8	3/8	3/8	3/8
<b>DIMENSIONS (in.)</b>	<b>H X W X D</b>		<b>H X W X D</b>		<b>H X W X D</b>		<b>H X W X D</b>		<b>H X W X D</b>		<b>H X W X D</b>	
Crated (H x W x D)	28-1/4x20-1/2x26-1/2		28-1/4x24x26-1/2		28-1/4x27-1/2x26-1/2		31-1/2x24x26-1/2		31-1/2x27-1/2x26-1/2		31-1/2x27-1/2x26-1/2	
Uncrated	-See Outline Drawings-											
<b>WEIGHT (lbs)</b>	51 / 49		55 / 51		59 / 55		69 / 65		72 / 68		72 / 68	
Shipping -- Net	51 / 49		55 / 51		59 / 55		69 / 65		72 / 68		72 / 68	

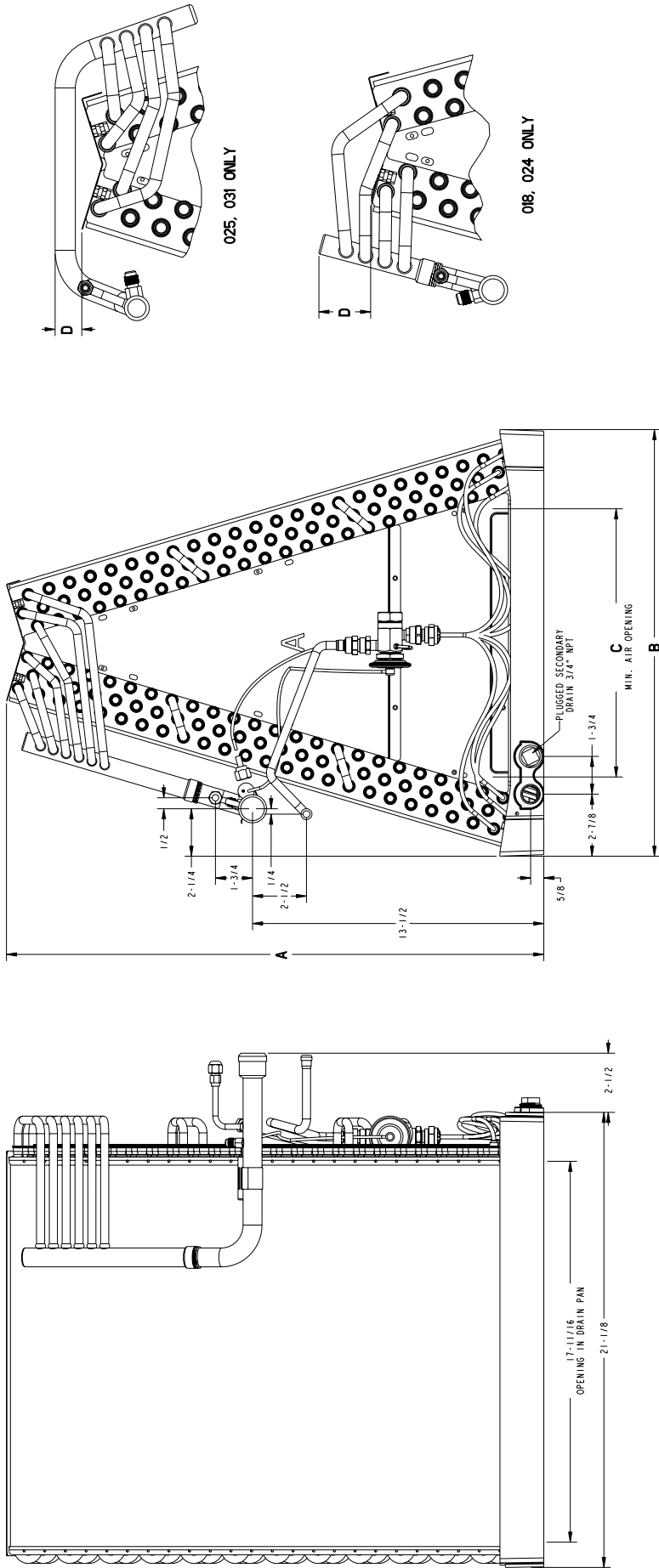
\* Reducer supplied with R-410A models

[1] These indoor coils are A.R.I. certified with various split system air conditioners and heat pumps (A.R.I. Standard 210/240). Refer to the split system product data guides for performance data.

# Performance Data

PRESSURE DROP CHARACTERISTICS FOR COOLING AND HEAT PUMP COILS								
AIRFLOW (CFM) VS. PRESSURE DROP ACROSS WET COIL								
PRESSURE DROP (INCHES OF WATER COLUMN)								
MODEL	.05	0.1	0.15	0.2	0.25	0.3	0.35	0.4
2/4TXAA018BC3HUA 2/4TXCA018BC3HCA	360	545	690	820	930	1040	1135	1230
2/4TXAA024BC3HUA 2/4TXCA024BC3HCA	360	545	690	820	930	1040	1135	1230
2/4TXAB025BC3HUA 2/4TXAB031BC3HUA 2/4TXCB025BC3HCA 2/4TXCB031BC3HCA	310	515	700	865	1020	1170	1310	1450
4TXAB032BC3HUA 2/4TXAB036BC3HUA 2/4TXAB042BC3HUA 4TXCB032BC3HCA 2/4TXCB036BC3HCA 2/4TXCB042BC3HCA	480	690	860	1005	1130	1250	1360	1460
2/4TXAB048BC3HUA 2/4TXCB048BC3HCA	470	680	840	980	1110	1220	1330	1425
2/4TXAC037BC3HUA 2/4TXAC043BC3HUA 2/4TXCC037BC3HCA 2/4TXCC043BC3HCA	630	900	1105	1280	1440	1520	1710	1830
4TXAC044BC3HUA 2/4TXAC049BC3HUA 4TXCC044BC3HCA 2/4TXCC049BC3HCA	675	970	1200	1390	1560	1715	1860	2000
2/4TXAC060BC3HUA 2/4TXCC060BC3HCA	680	965	1190	1375	1540	1685	1820	1950
2/4TXAD050BC3HUA 2/4TXCD050BC3HCA	810	1140	1390	1600	1790	1950	2110	2250
2/4TXAD061BC3HUA 2/4TXCD061BC3HCA	820	1155	1410	1620	1810	1980	2130	2280
2/4TXAD064BC3HUA 2/4TXCD064BC3HCA	670	1000	1250	1470	1670	1850	2020	2180

Outline Drawing for 2/4TXAA018BC3HUA, 2/4TXAC024BC3HUA, 2/4TXAB025BC3HUA, 2/4TXAB031BC3HUA, 2/4TXAB032BC3HUA, 2/4TXAB036BC3HUA, 2/4TXAB042BC3HUA, 2/4TXAB048BC3HUA, 2/4TXAC037BC3HUA, 2/4TXAC043BC3HUA, 4TXAC044BC3HUA, 2/4TXAC049BC3HUA, 2/4TXAC060BC3HUA, 2/4TXAD050BC3HUA, 2/4TXAD061BC3HUA, 2/4TXAD064BC3HUA (All dimensions are in inches)



MODEL	27XA08BC3HUA 47XA08BC3HUA 47XA024BC3HUA	27XA025BC3HUA 47XA025BC3HUA 47XA036BC3HUA 47XA042BC3HUA 47XA048BC3HUA	27XA044BC3HUA 47XA049BC3HUA 47XA060BC3HUA	47XA048BC3HUA 47XA048BC3HUA 47XA048BC3HUA	27XA064BC3HUA 47XA064BC3HUA 47XA064BC3HUA	27XA08BC3HUA 27XA08BC3HUA 47XA08BC3HUA	27XA09BC3HUA 27XA09BC3HUA 47XA09BC3HUA		
HEIGHT (LBS)	19	22	29	30	33	34	35	40	41
REFRIGERANT CONTROL	17-3/8	15	21-1/4	20-3/4	23-3/16	24-15/16	24-3/8	29-1/8	28-9/16
HEIGHT X (IN)	13-3/4	16-1/4	9	9-3/4	16-7/4	19-3/4	23-1/4	19-3/4	23-1/4
OVERALL WIDTH OF (IN)	1-3/8	1	3/8	3/8	9	12-1/2	16	12-1/2	16
OPENING WIDTH C (IN)	1-3/8	3/4	3/8	3/8	3/8	1-1/8	1-1/8	1-1/8	1-1/8
D	5/8" X 3/4"	5/8" X 3/4"	5/8" X 3/4"	5/8" X 3/4"	5/8" X 3/4"	5/8" X 3/4"	5/8" X 3/4"	5/8" X 3/4"	5/8" X 3/4"
GAS CONNECTION	3/8 BRZ	3/8 BRZ	3/8 BRZ	3/8 BRZ	3/8 BRZ	3/8 BRZ	3/8 BRZ	3/8 BRZ	3/8 BRZ
LIQUID GAS REDUCER	5/8" X 3/4"	5/8" X 3/4"	5/8" X 3/4"	5/8" X 3/4"	5/8" X 3/4"	5/8" X 3/4"	5/8" X 3/4"	5/8" X 3/4"	5/8" X 3/4"
LIQUID CONNECTION	5/8 BRZ	5/8 BRZ	5/8 BRZ	5/8 BRZ	5/8 BRZ	5/8 BRZ	5/8 BRZ	5/8 BRZ	5/8 BRZ
DRAIN PAN	PLASTIC	PLASTIC	PLASTIC	PLASTIC	PLASTIC	PLASTIC	PLASTIC	PLASTIC	PLASTIC

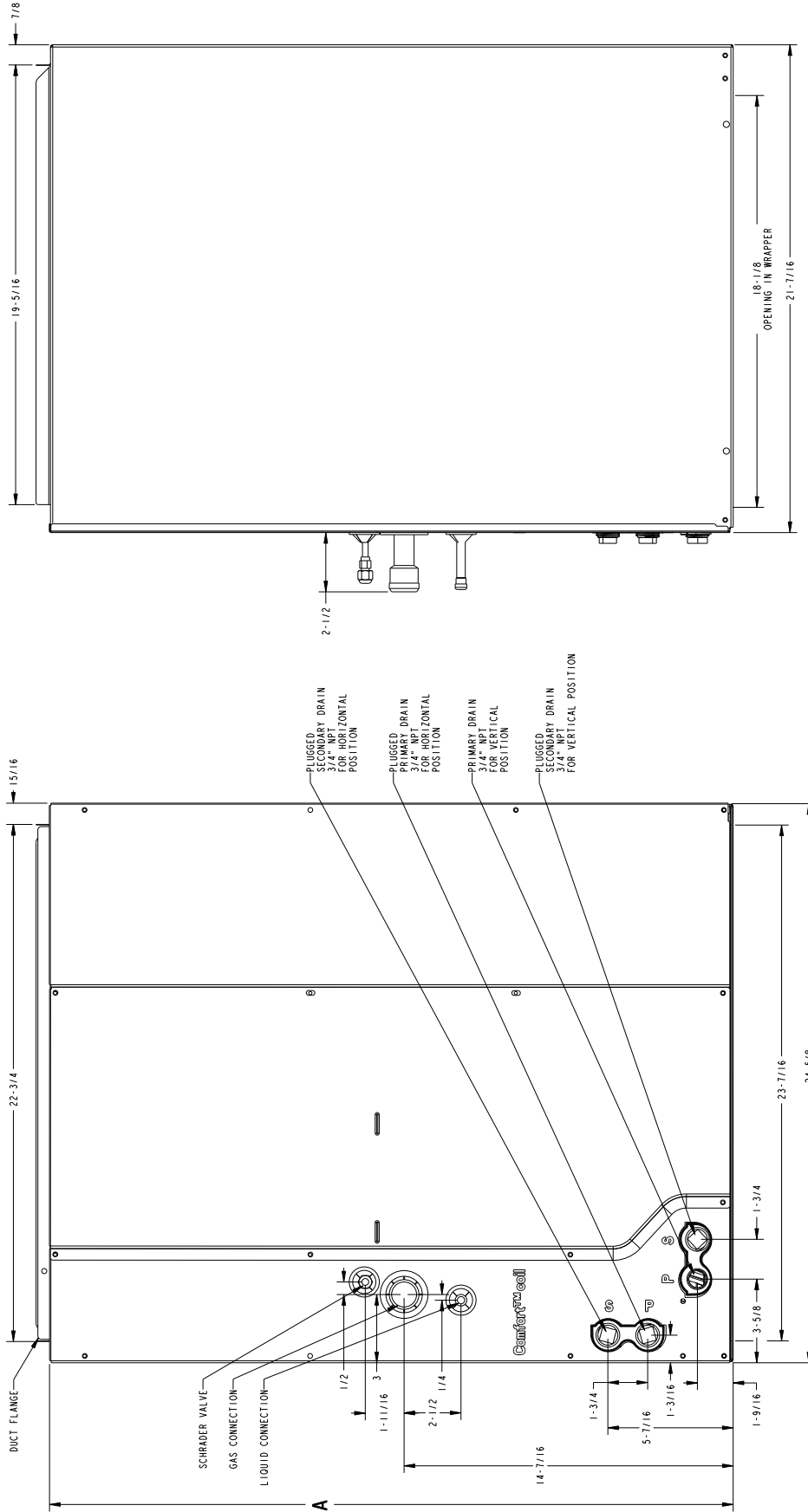
REDUCER SUPPLIED  
WITH R-410A MODELS





# Outline Drawing for 2/4TXCD050BC3HCA, 2/4TXCD061BC3HCA, 2/4TXCD064BCHCA

(All dimensions are in inches)



MODEL	2TXCD060BC3HCA 4TXCD060BC3HCA	2TXCD061BC3HCA 4TXCD061BC3HCA	2TXCD064BCHCA 4TXCD064BCHCA
WEIGHT (LBS)	55	55	68
REFRIGERANT CONTROL	TXV (NON-BLEED)		
HEIGHT "A" (IN)	26-7/8	26-7/8	30-1/16
GAS CONNECTION	1-1/8 BRAZE		
LIQUID CONNECTION	3/8 BRAZE		
MATCHED FURNACE WIDTH (NO ADAPTER REQUIRED)	24-1/2		
DRAIN PAN	PLASTIC		

From Dwg. D342804



*American Standard*  
HEATING & AIR CONDITIONING

**American Standard Heating & Air Conditioning**  
6200 Troup Highway  
Tyler, TX 75707

For more information contact  
your local dealer (distributor)



---

---

---

---

Since **American Standard Heating and Air Conditioning** has a policy of continuous product improvement, it reserves the right to change design and specifications without notice.